

P

Paulmann

Safety Instructions



0,1,2,4,5b,7,8,9,
11,12,15,16,17,19,
20,21,23,25,29



Info Hotline

+49 (0) 5041 998 389

Mon. - Do. 7⁰⁰ - 20⁰⁰

Fr. 7⁰⁰ - 17⁰⁰

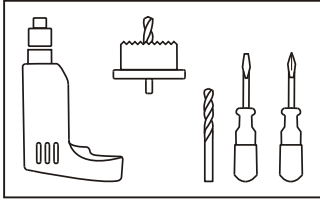


Paulmann Licht GmbH
31832 Springe / Germany
www.paulmann.com

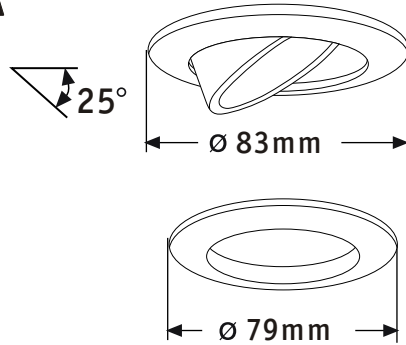
Art.-Nr.:
507000315

(+MA 173)

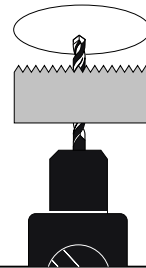
PBO 10 / 09



A

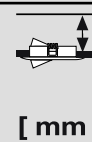
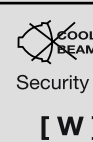
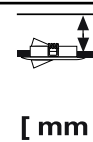
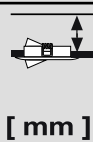
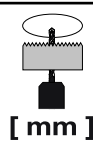
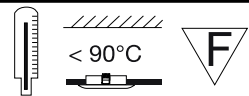
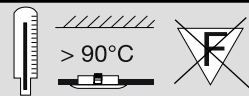
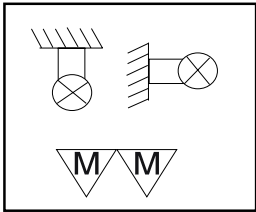


B



C

C



[mm]

[W]

[mm]

[W]

[mm]

[W]

[mm]



68

50

60

35

60

50

90



70

50

60

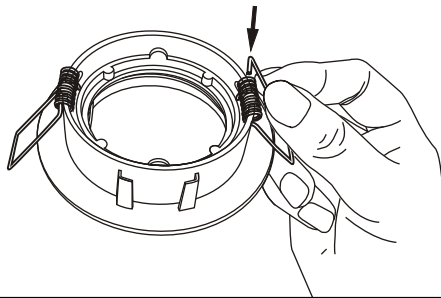
35

60

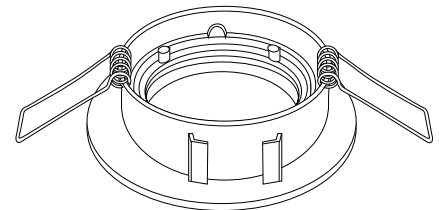
50

90

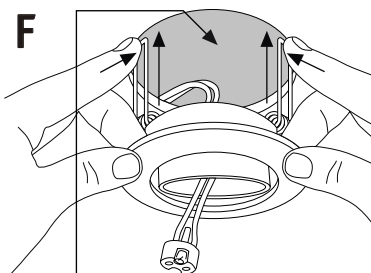
D



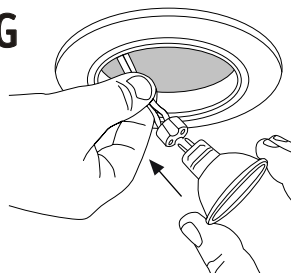
E



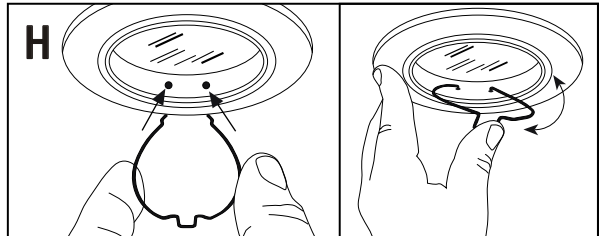
F



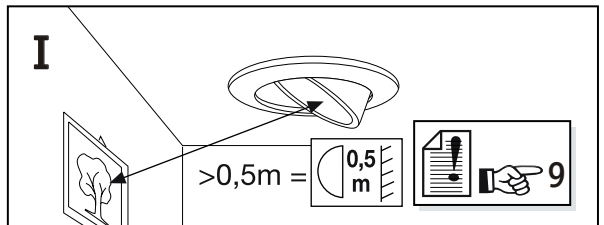
G



H



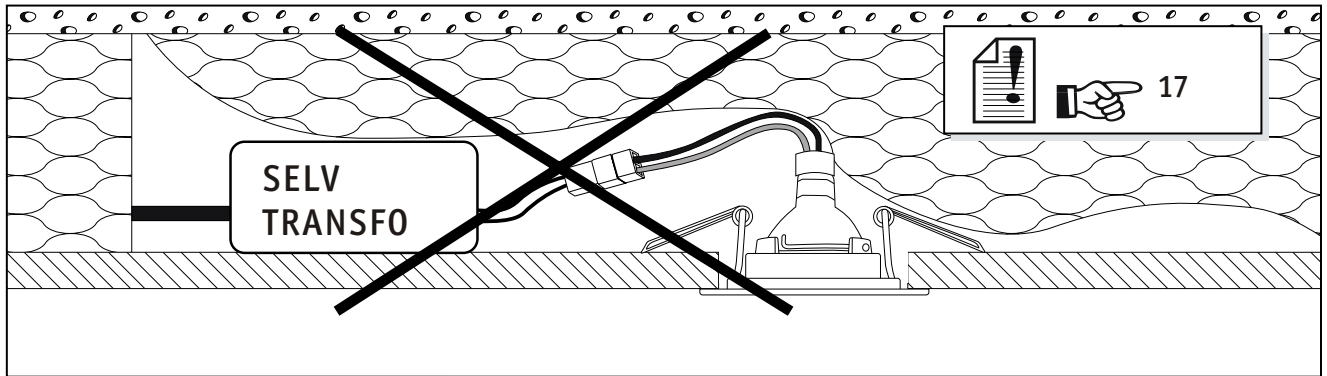
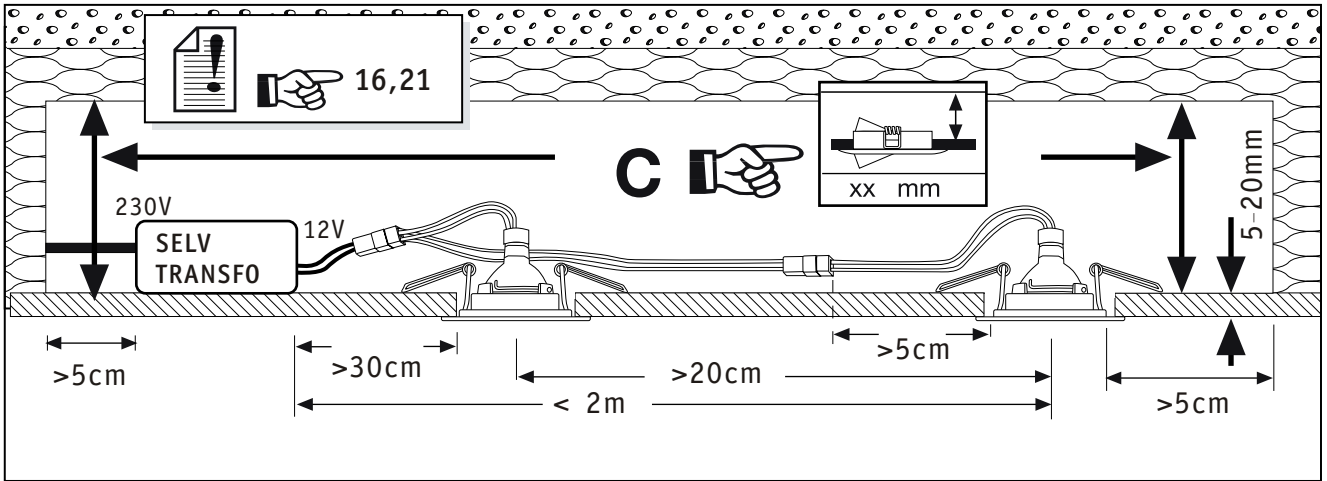
I


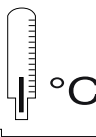




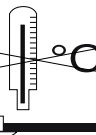
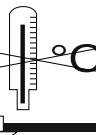


> 0,5m = 0,5m



9



 Paulmann SECURITY	 °C 	 	 Art.No.: 20W51mmGU5,3 832.21 35W51mmGU5,3 832.31 50W51mmGU5,3 832.51
 COOL BEAM	 °C 