

SAFETY INSTRUCTIONS



SAFETY INSTRUCTIONS



0, 1, 2, 3, 4, 6, 7, 8, 9, 11, 15, 20, 22, 25, 26, 27, 28



PAULMANN LICHT GmbH
Queinger Feld 2 • D-31832 Springe
www.paulmann.com

+49 (0) 5041 998 389

7^h-20^h

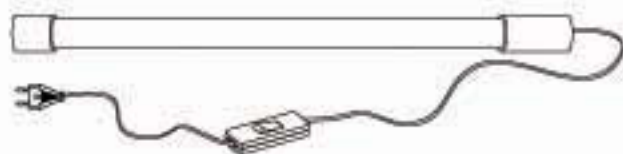
Mo. - Do.

7^h-17^h

Fr.



6mm



1X



2X

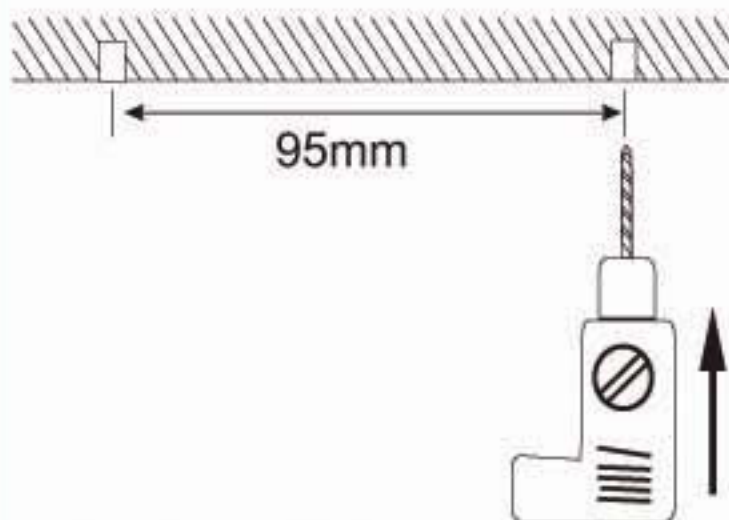


2X



2X

A



B

