

SAFETY INSTRUCTIONS

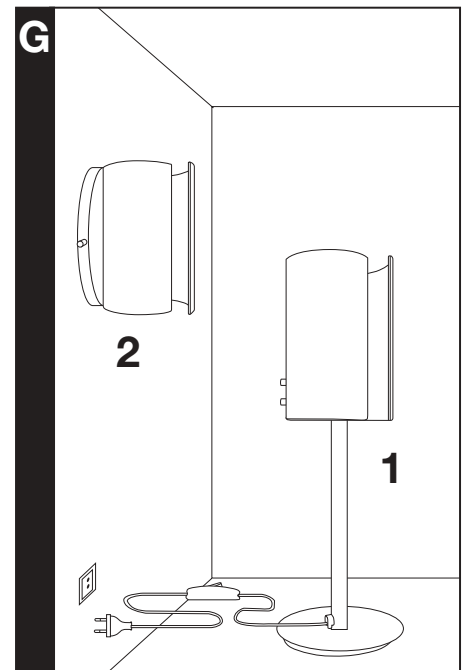
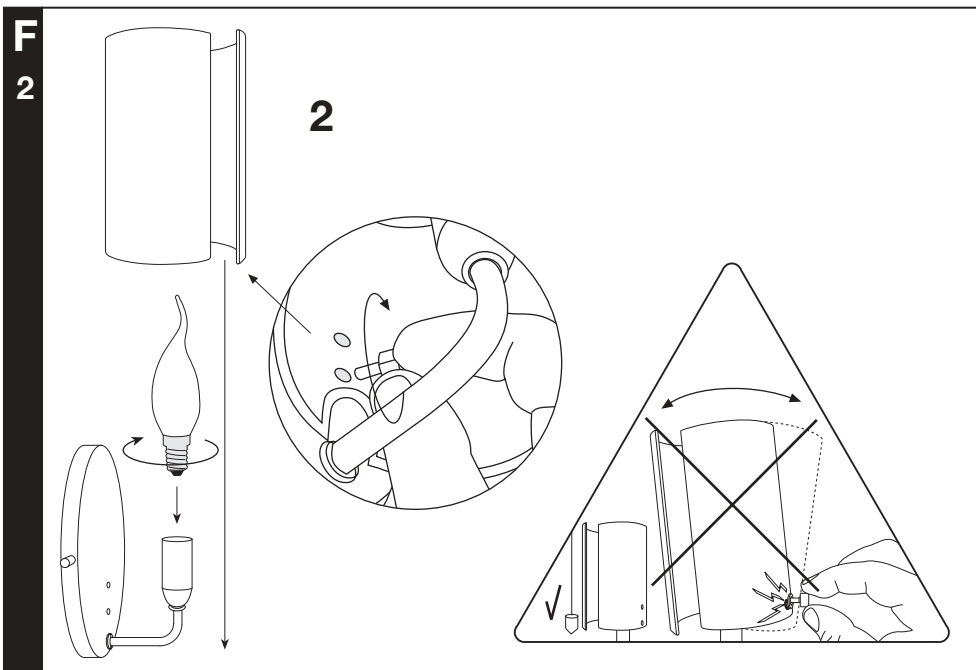
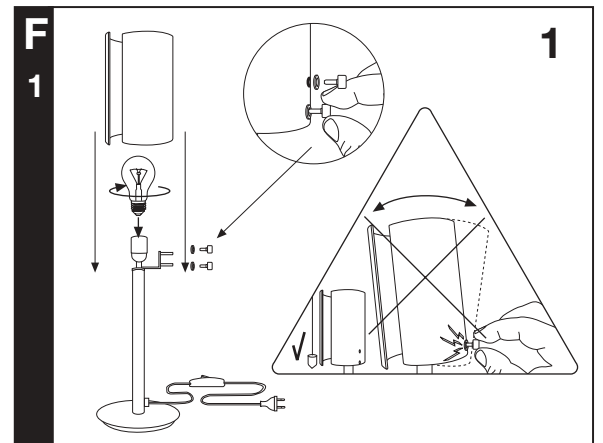
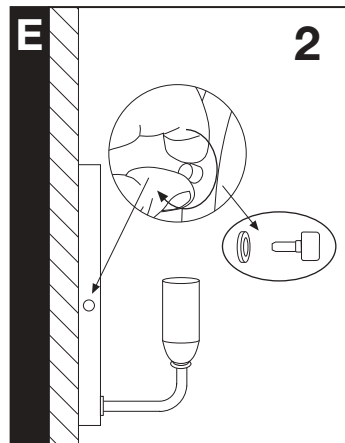
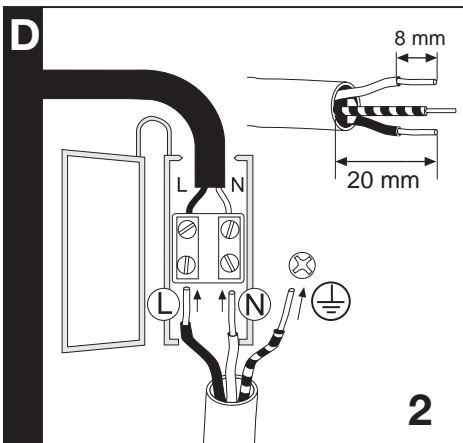
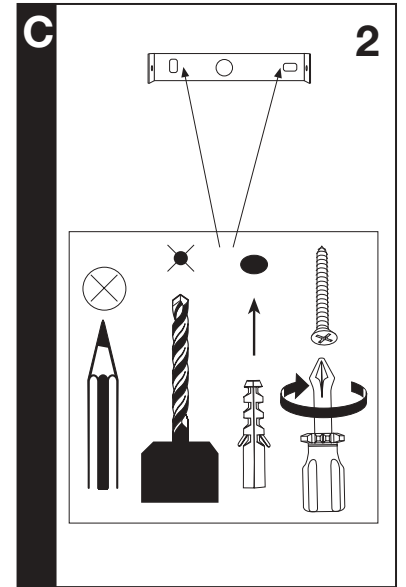
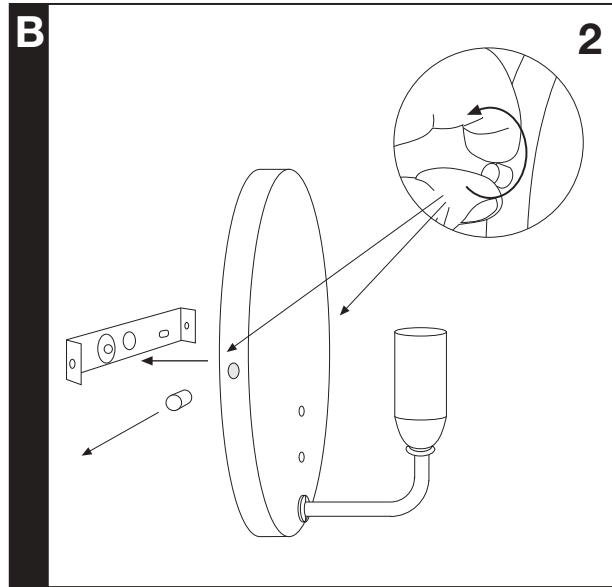
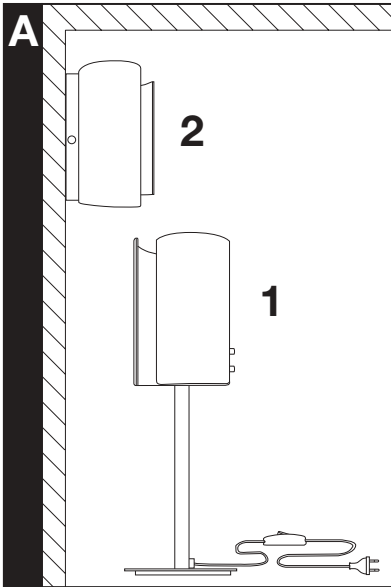


SAFETY INSTRUCTIONS

0,1,2,4,5,6,7,8,9,11,15,18,19,20,22



PAULMANN LICHT GmbH
Quezinger Feld 2 • D-31832 Springe
www.Paulmann.de

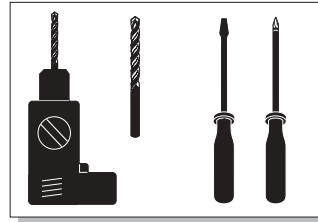


SAFETY INSTRUCTIONS



SAFETY INSTRUCTIONS

0,1,2,4,5,6,7,8,9,11,15,18,19,20,22



PAULMANN LICHT GmbH
Quezinger Feld 2 • D-31832 Springe
www.Paulmann.de

