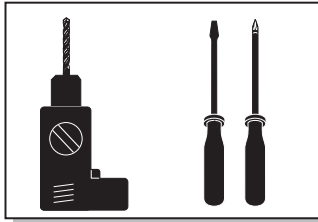


SAFETY INSTRUCTIONS

SAFETY INSTRUCTIONS



0, 1, 2, 4, 5, 6, 7, 8, 9, 11, 15
18, 19, 22

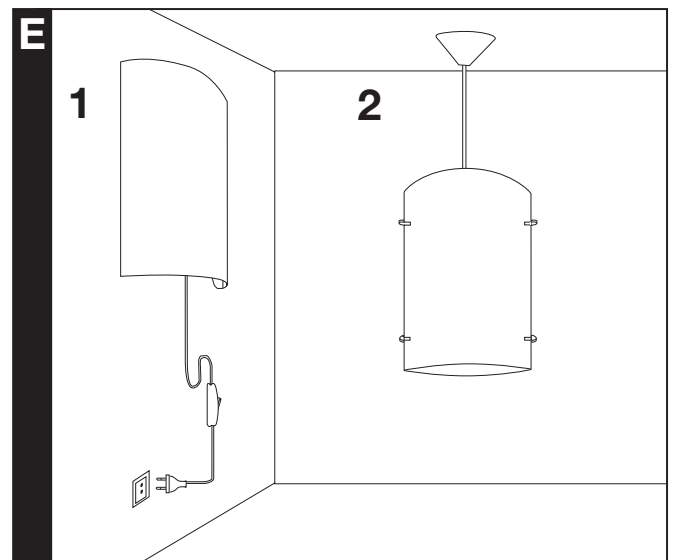
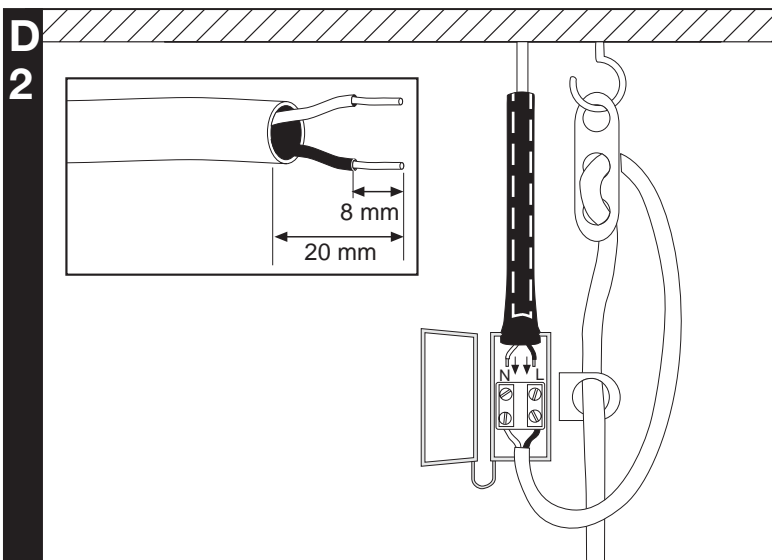
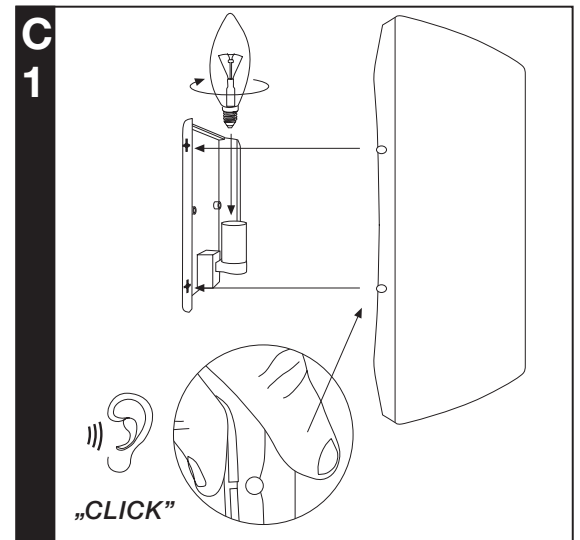
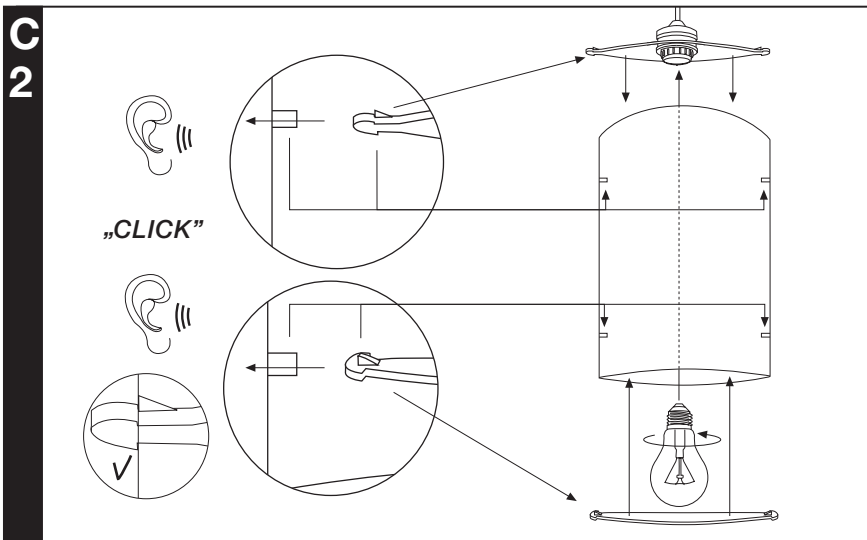
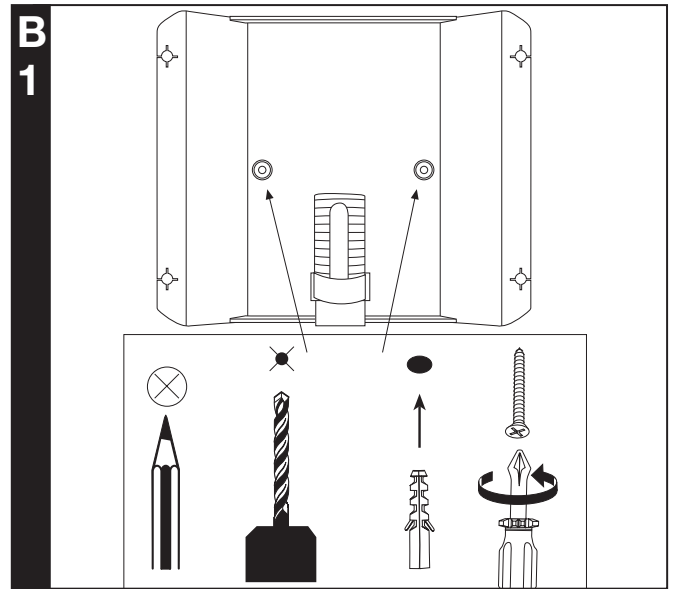
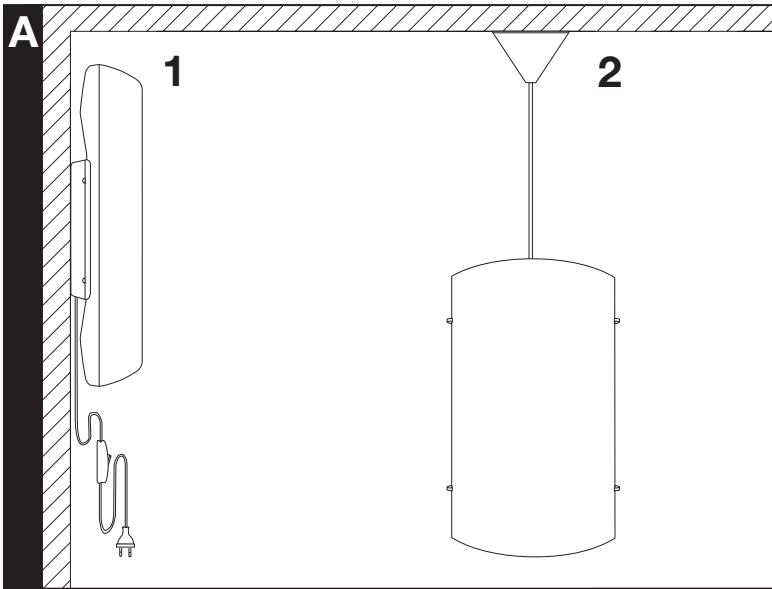


7⁰⁰ - 20⁰⁰

Mon. - Fri.

PAULMANN LICHT GmbH
Quezinger Feld 2 • D-31832 Springe
www.Paulmann.com

+49 (0) 5041 998 389

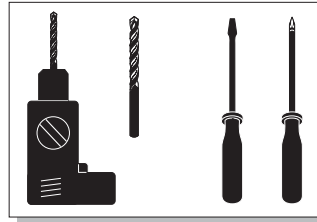


SAFETY INSTRUCTIONS



SAFETY INSTRUCTIONS

0,1,2,4,5,6,7,8,9,11,15,18,19,20,22



PAULMANN LICHT GmbH
Quezinger Feld 2 • D-31832 Springe
www.Paulmann.de

