

SAFETY INSTRUCTIONS

SAFETY INSTRUCTIONS



0, 1, 4, 5a, 6, 7, 8, 9, 11, 15
20, 22, 26, 27

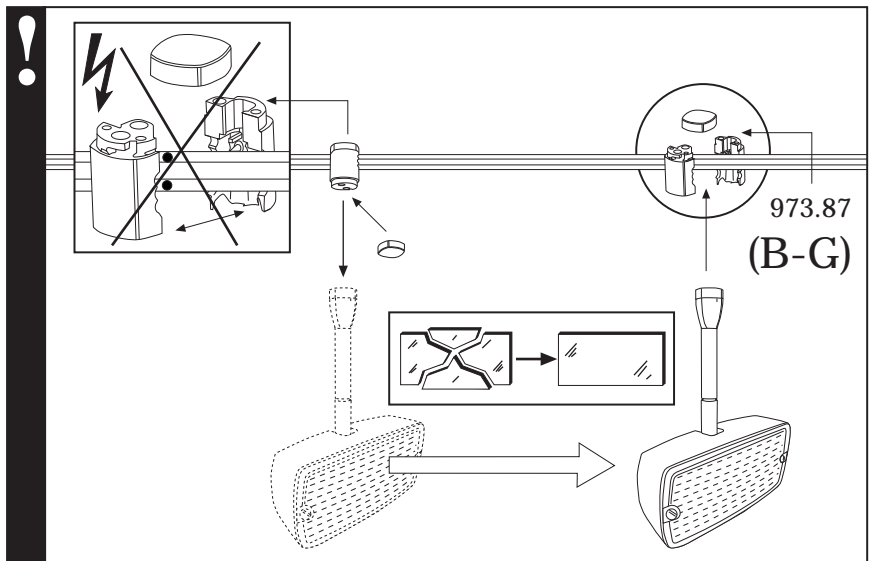
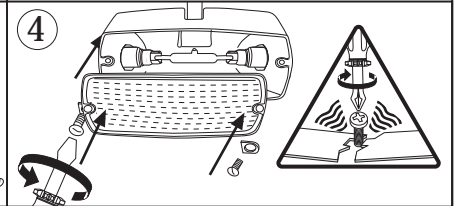
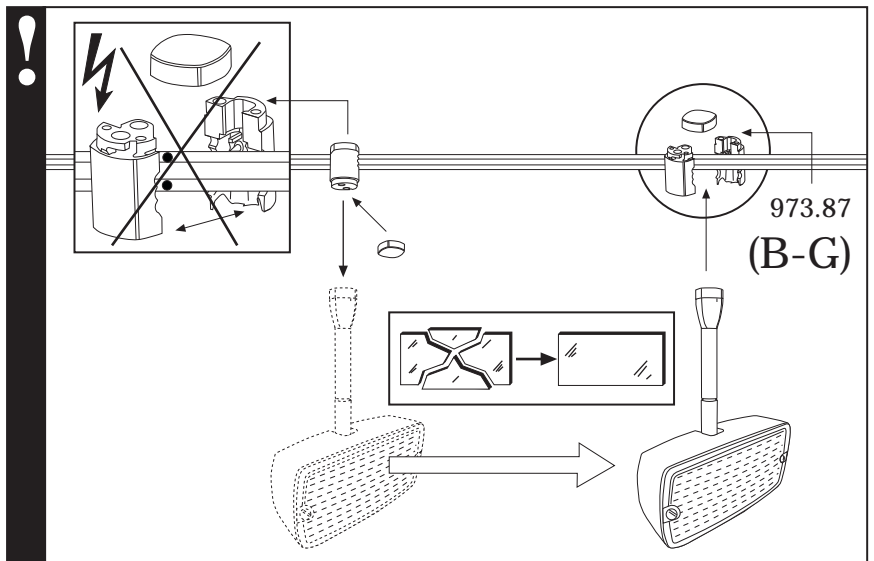
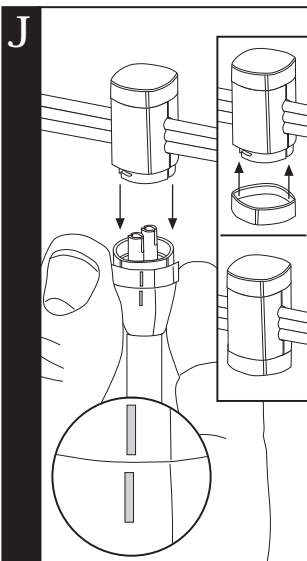
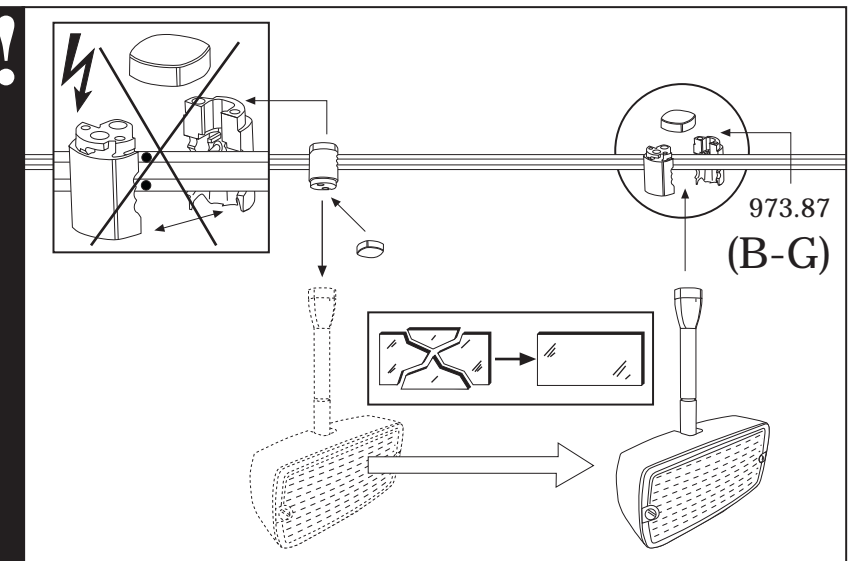
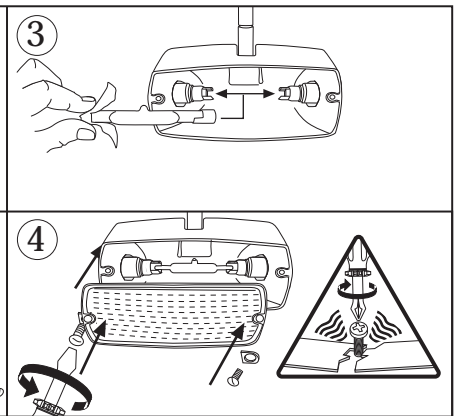
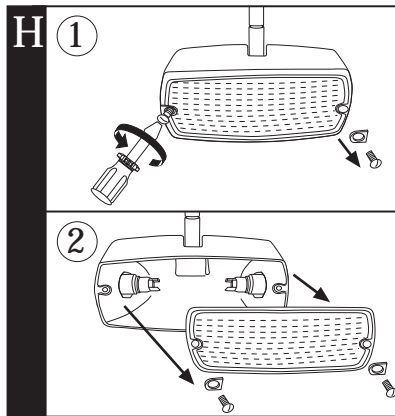
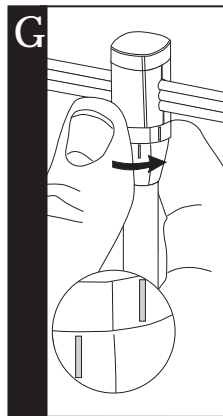
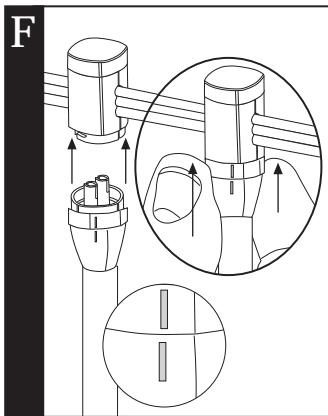
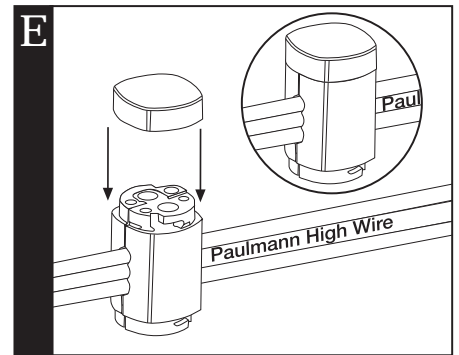
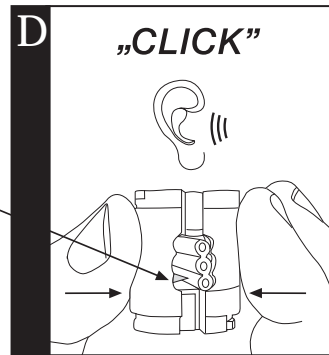
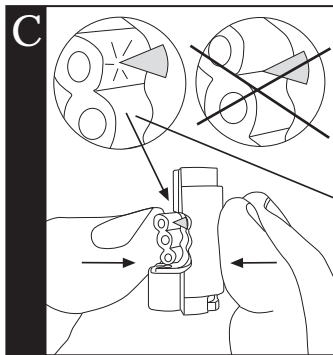
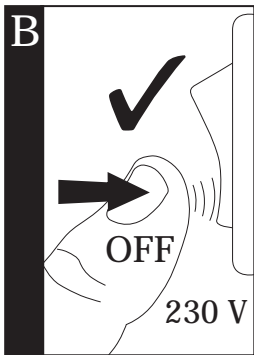
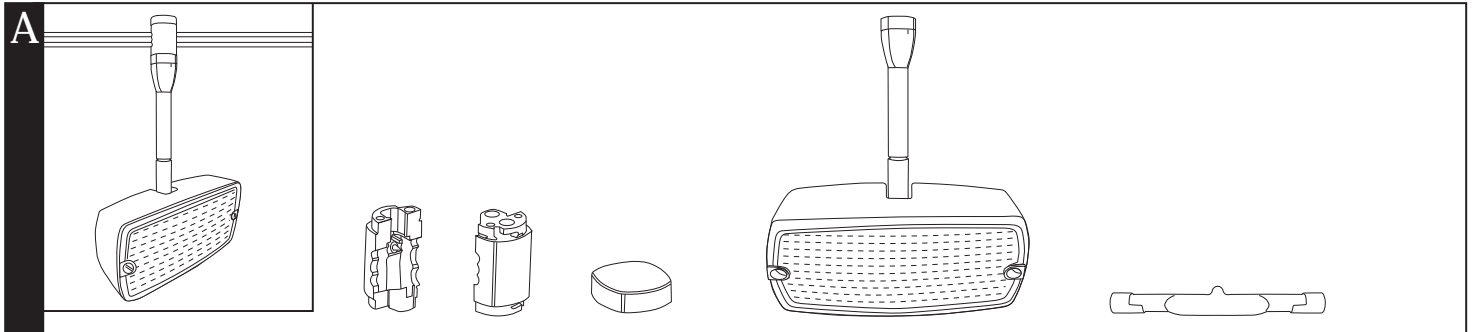


PAULMANN LICHT GmbH
Quezinger Feld 2 • D-31832 Springe
www.Paulmann.com

+49 (0) 5041 998 389

7⁰⁰ - 20⁰⁰

Mon. - Fri.



973.87
(B-G)

