

## Safety Instructions



0,1,2,4,5b,7,8,9,11,  
12,15,16,17,19,20,  
21,23,25,29



Info Hotline

+49 (0) 5041 998 389

Mon. - Do. 7<sup>00</sup> - 20<sup>00</sup>

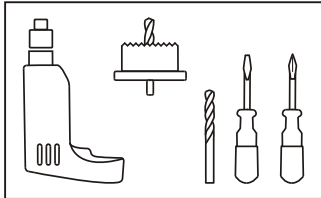
Fr. 7<sup>00</sup> - 17<sup>00</sup>

Paulmann Licht GmbH  
31832 Springe / Germany  
www.paulmann.com

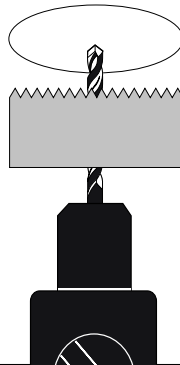
Art.-Nr.:  
507000312

(+MA 173)

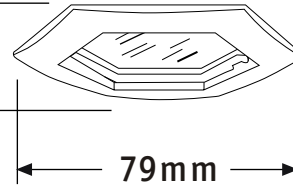
PBO 10/09



**A**

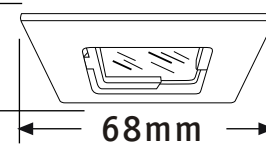


69 mm



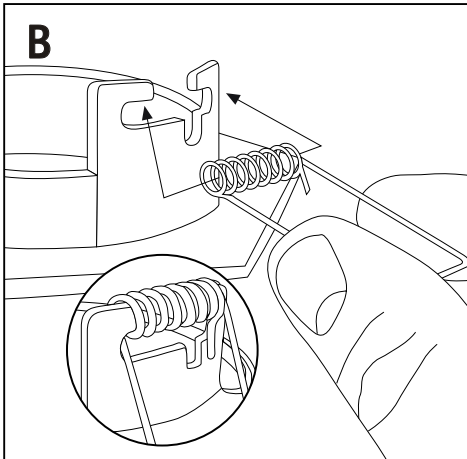
79 mm

68 mm

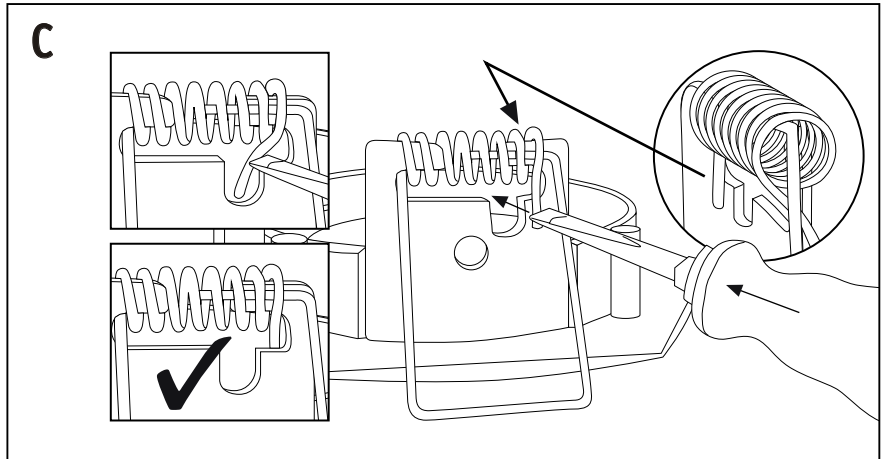


68 mm

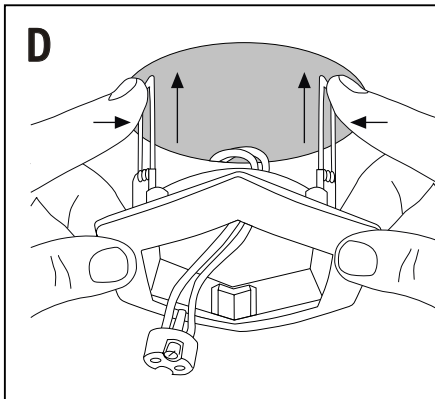
**B**



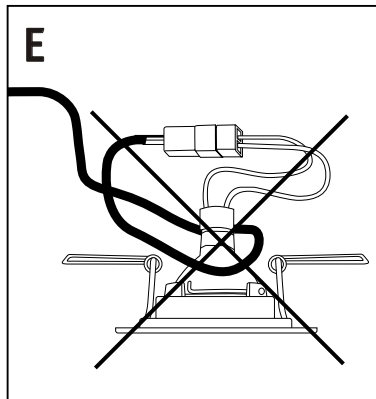
**C**



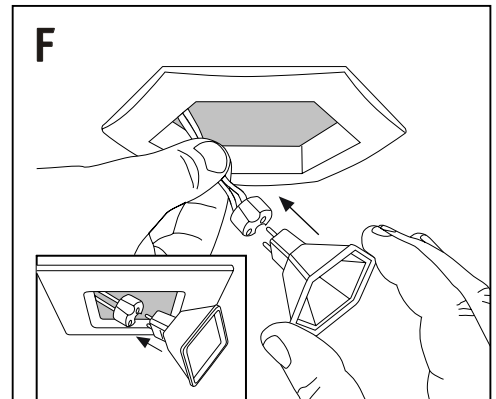
**D**



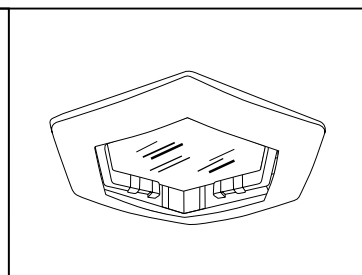
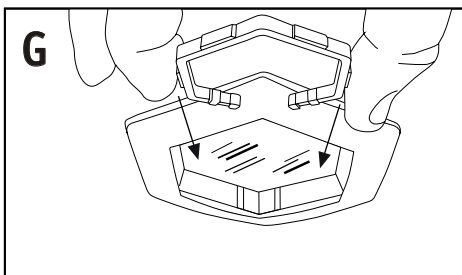
**E**



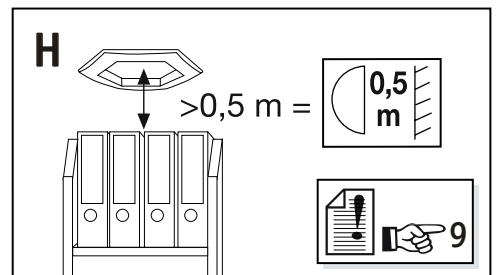
**F**

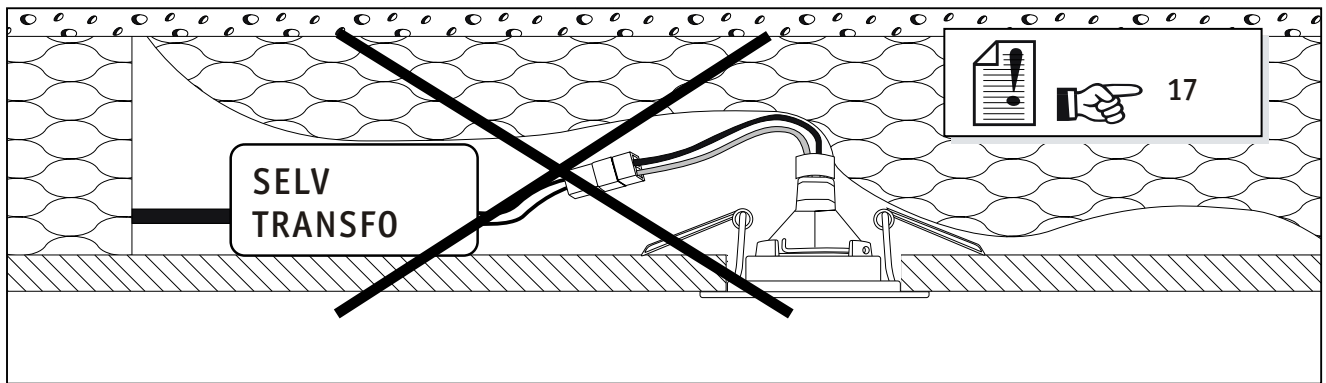
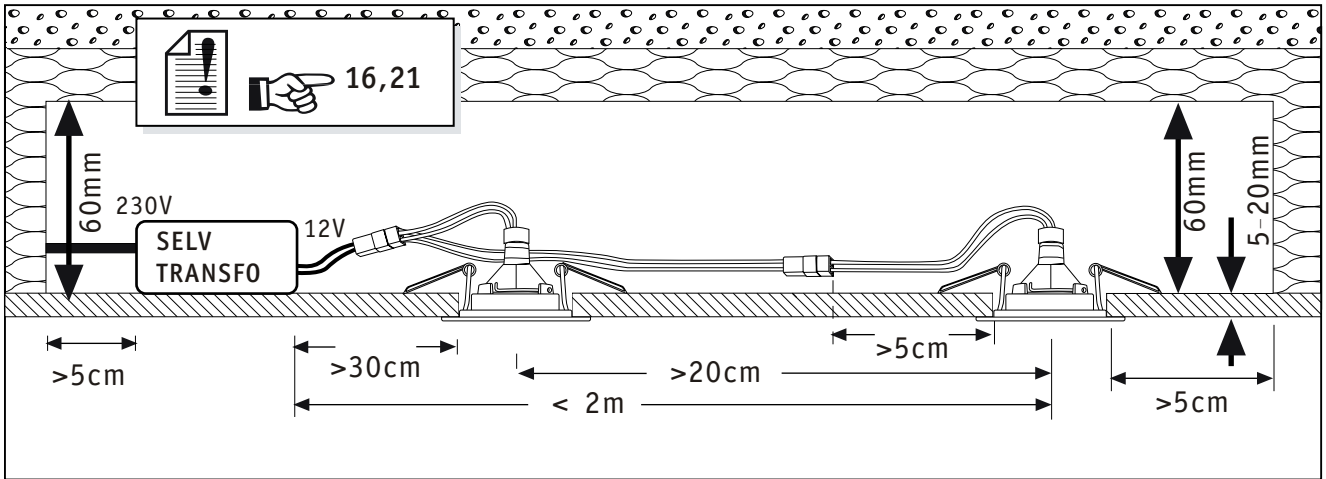


**G**



**H**





|  |  |      |              |  |
|--|--|------|--------------|--|
| <br><b>Paulmann</b><br><b>SECURITY</b> |  | <br> | 20 %<br>80 % | Art.No.:<br>20W37mmGU5,3 833.45<br>35W37mmGU5,3 833.46<br>20W51mmGU5,3 833.47<br>35W51mmGU5,3 833.48 |
|  |  |      |              | 60 %<br>40 %   |

