

Safety Instructions



0,1,4,5b,7,8,9,11,12,
15,16,17,20,21,22



Info Hotline 

+49 (0) 5041 998 389

Mon.-Do. 7⁰⁰-20⁰⁰

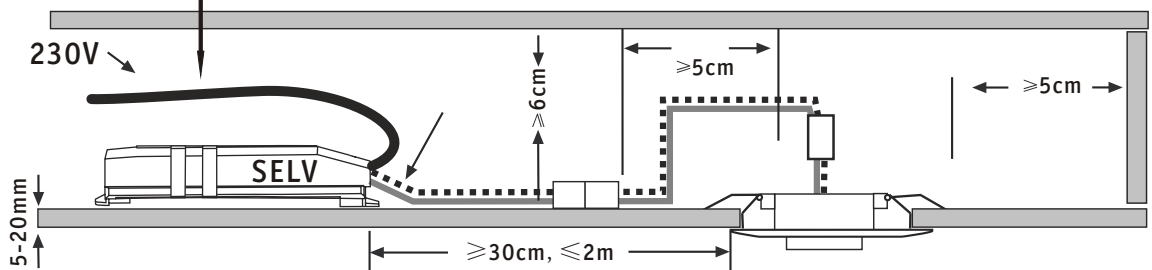
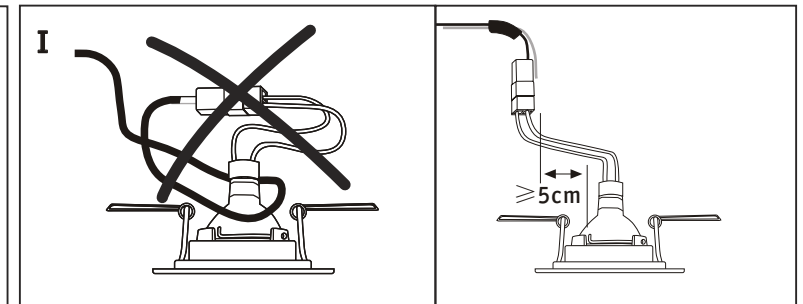
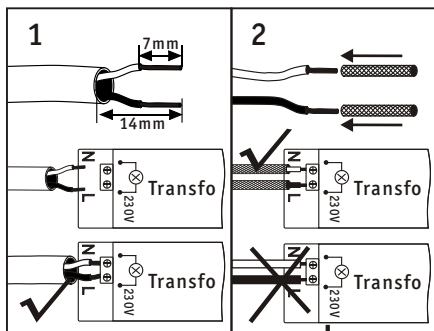
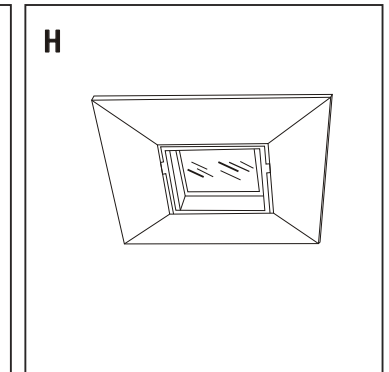
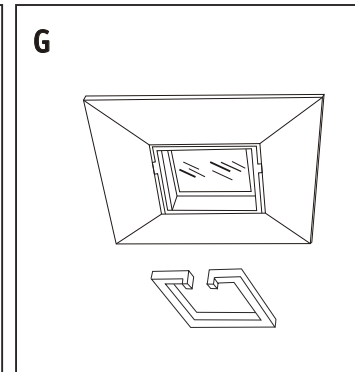
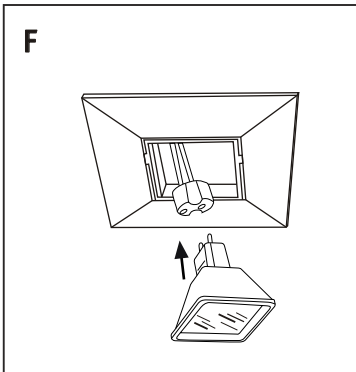
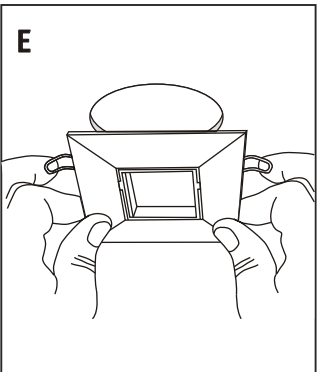
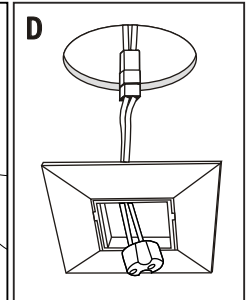
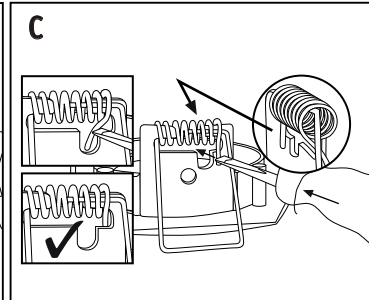
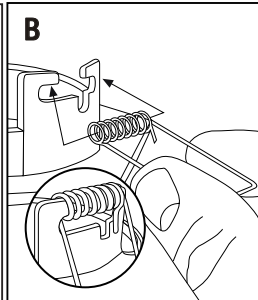
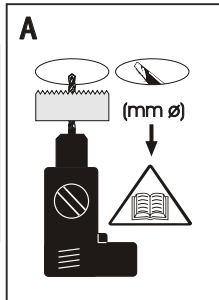
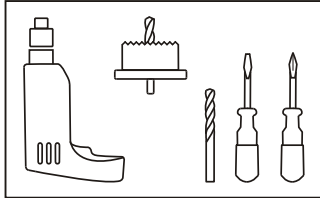
Fr. 7⁰⁰-17⁰⁰



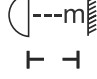

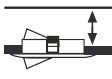
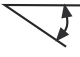


Paulmann Licht GmbH
31832 Springe / Germany
www.paulmann.com

Art.-Nr.:
507000208

(+MA 173)

PBO 10 / 09



Produkt						
 <p>68x68mm 31000995xx</p>	35W	37x37mm	0.5m	60mm	60mm ▽▽ >110	
 <p>90x90mm 31000995xx</p>	35W	37x37mm	0.5m	83mm	60mm ▽▽ >110	17°