

## Safety Instructions



0,1,4,5b,7,8,9,11,12,  
15,16,17,20,21,22



Info Hotline

+49 (0) 5041 998 389

Mon.-Do. 7<sup>00</sup>-20<sup>00</sup>

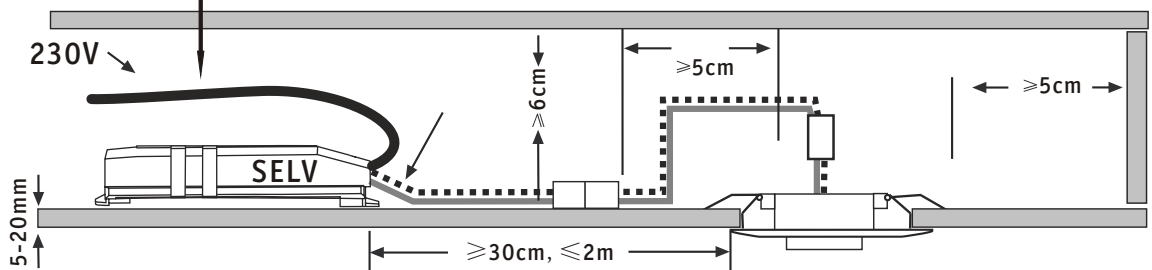
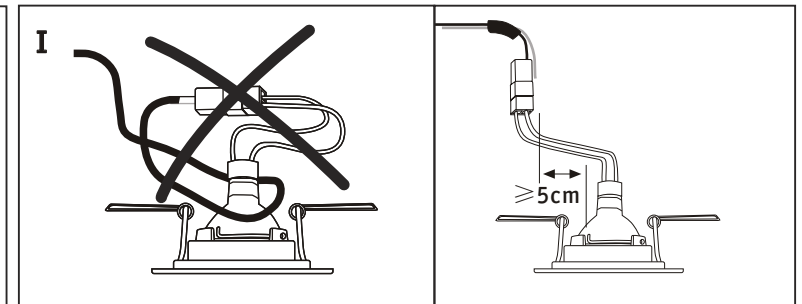
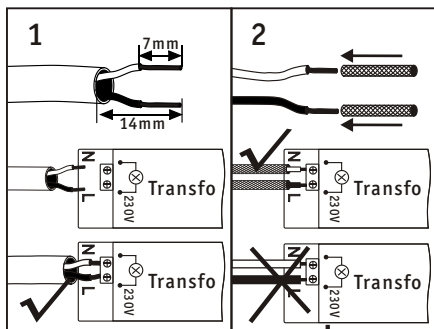
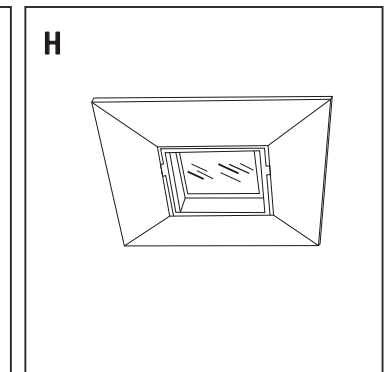
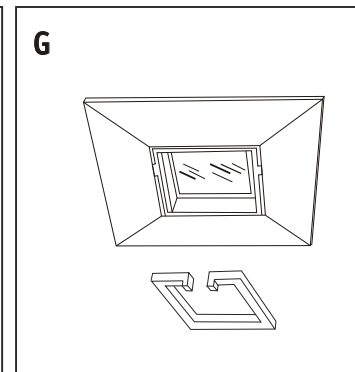
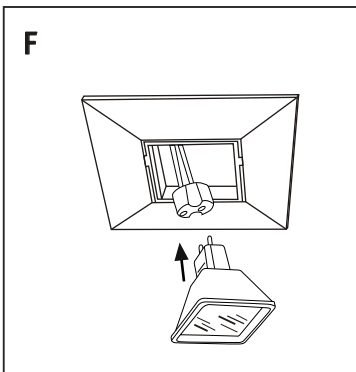
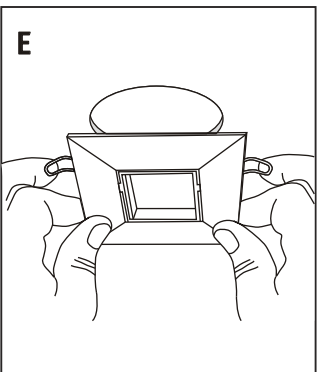
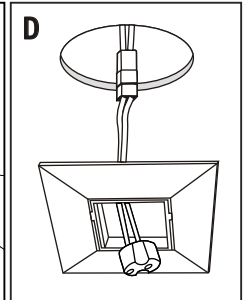
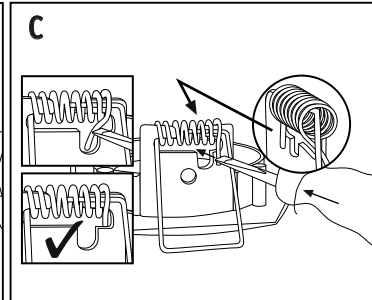
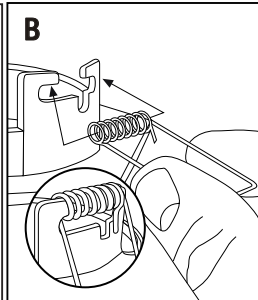
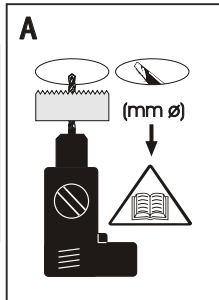
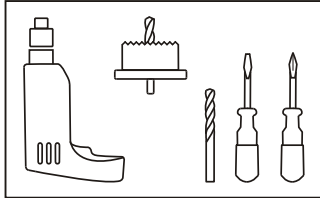
Fr. 7<sup>00</sup>-17<sup>00</sup>



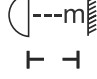

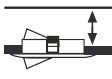
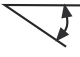


Paulmann Licht GmbH  
31832 Springe / Germany  
www.paulmann.com

Art.-Nr.:  
507000208

(+MA 173)

PBO 10/09



Produkt						
 <p>68x68mm 31000995xx</p>	35W	37x37mm	0.5m	60mm	60mm ▽▽ >110	
 <p>90x90mm 31000995xx</p>	35W	37x37mm	0.5m	83mm	60mm ▽▽ >110	17°