

# P

Paulmann

## Safety Instructions



0,1,2,4,5b,7,8,9,11,  
12,15,16,17,19,20,  
21,23,25,29

 Info Hotline 

+49 (0) 5041 998 389

Mon. - Do. 7<sup>00</sup> - 20<sup>00</sup>

Fr. 7<sup>00</sup> - 17<sup>00</sup>

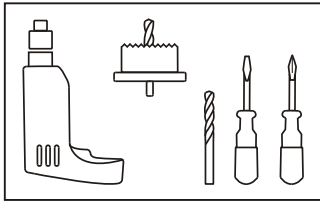


Paulmann Licht GmbH  
31832 Springe / Germany  
www.paulmann.com

Art.-Nr.:  
507000314

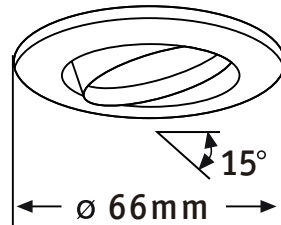
(+MA 173)

PBO 10/09

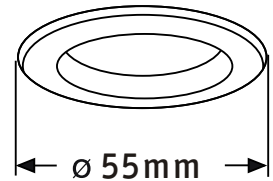


### A

①



②

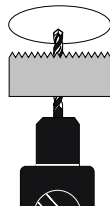


### B

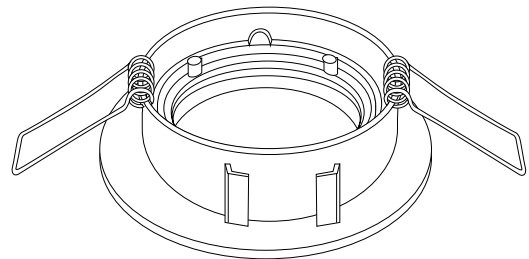


① ( $\varnothing 60\text{mm}$ )

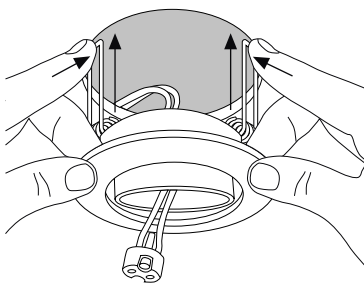
② ( $\varnothing 51\text{mm}$ )



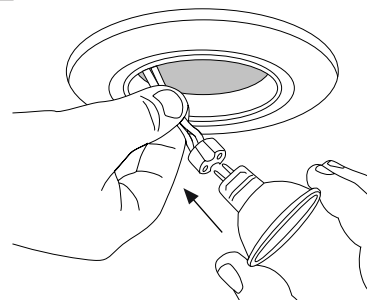
### C



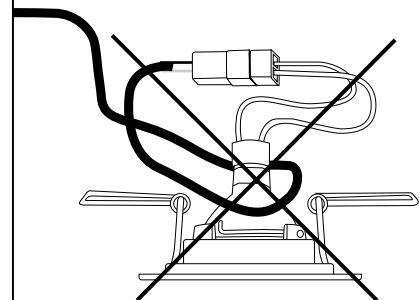
### D



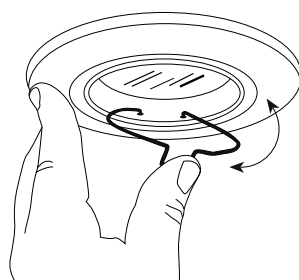
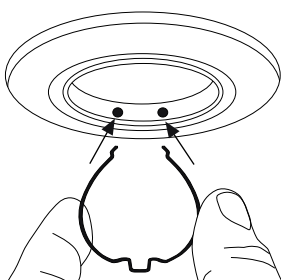
### E



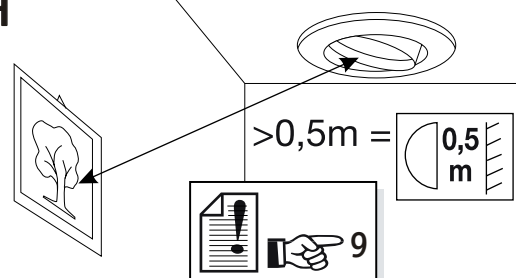
### F

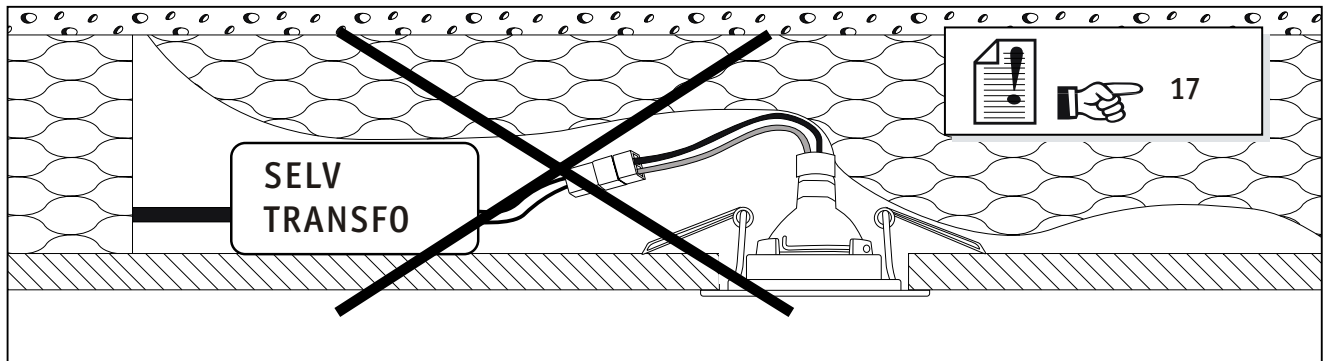
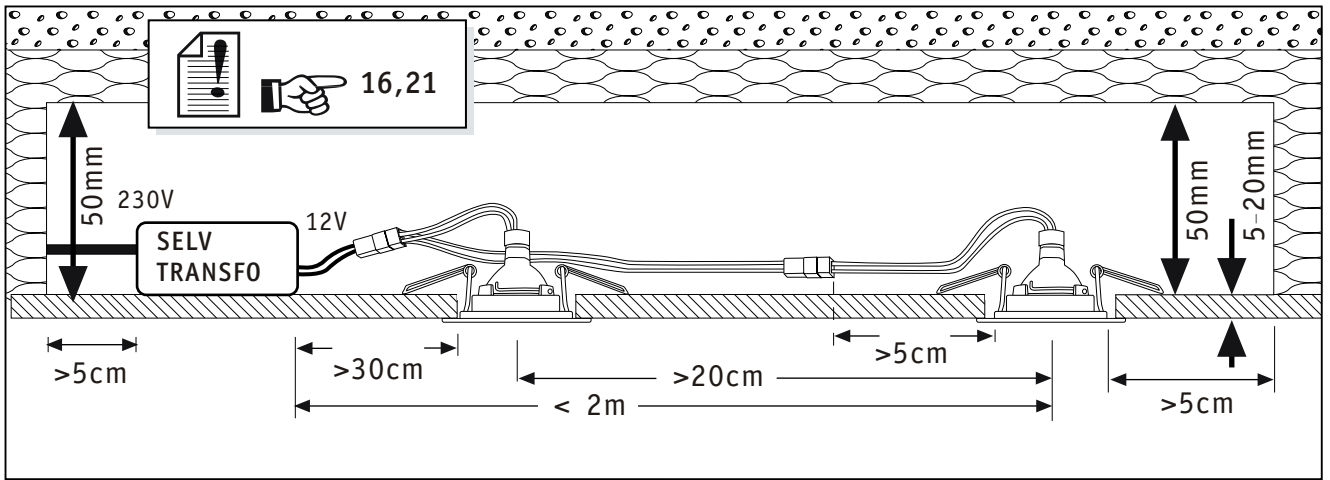


### G



### H





<p>COOL BEAM</p> <p><b>Paulmann</b></p> <p><b>SECURITY</b></p>	<p>°C</p>	<p>20 %</p> <p>80 %</p>	<p>Art.No.:</p> <p>20W35mmGU4 822.21</p> <p>35W35mmGU4 822.31</p>
<p>COOL BEAM</p>	<p>°C</p>	<p>60 %</p> <p>40 %</p>	

