

P

Paulmann

Safety Instructions



0,1,2,4,5b,7,8,9,11,
12,15,16,17,19,20,
21,23,25,29

 Info Hotline 

+49 (0) 5041 998 389

Mon. - Do. 7⁰⁰ - 20⁰⁰

Fr. 7⁰⁰ - 17⁰⁰

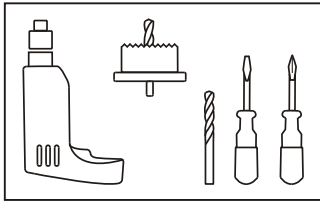


Paulmann Licht GmbH
31832 Springe / Germany
www.paulmann.com

Art.-Nr.:
507000314

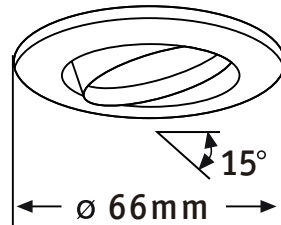
(+MA 173)

PBO 10/09

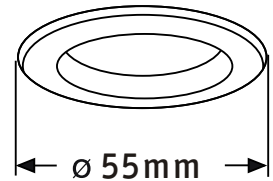


A

①



②

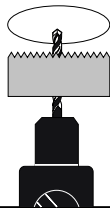


B

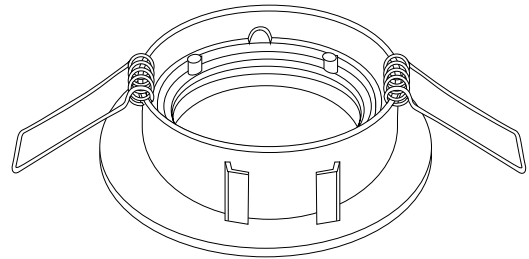


① ($\varnothing 60\text{mm}$)

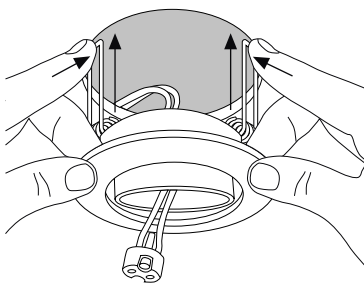
② ($\varnothing 51\text{mm}$)



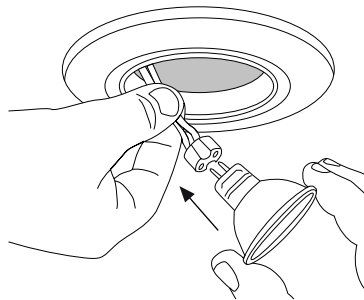
C



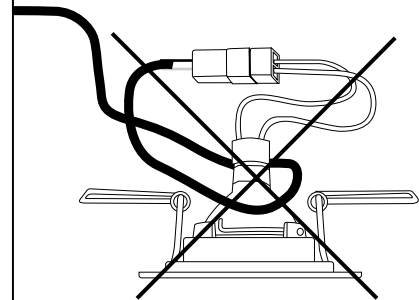
D



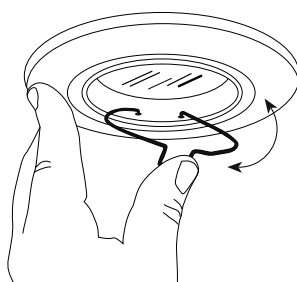
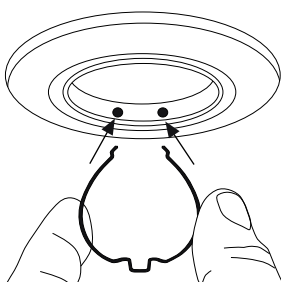
E



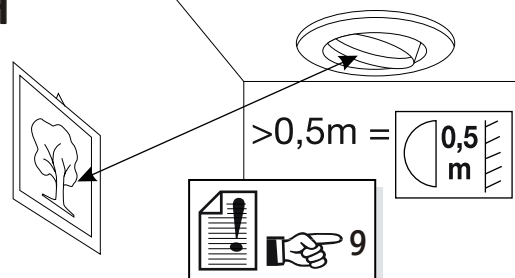
F

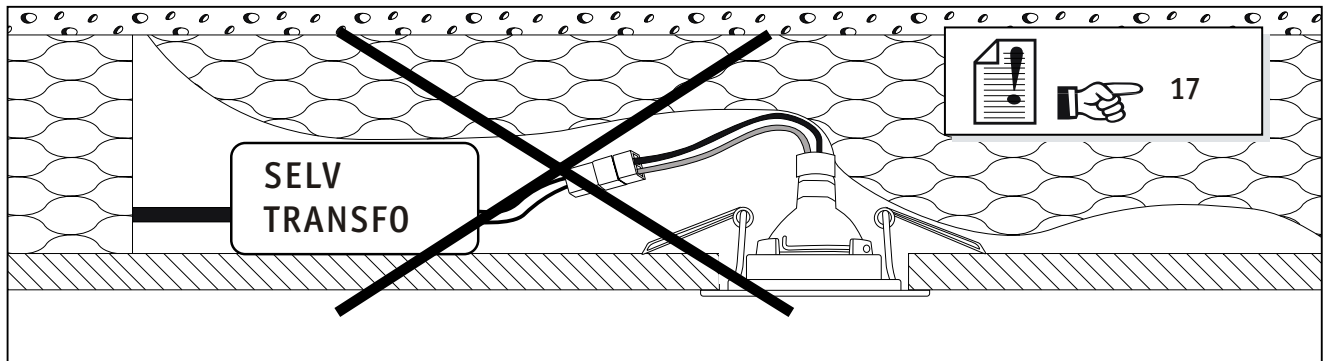
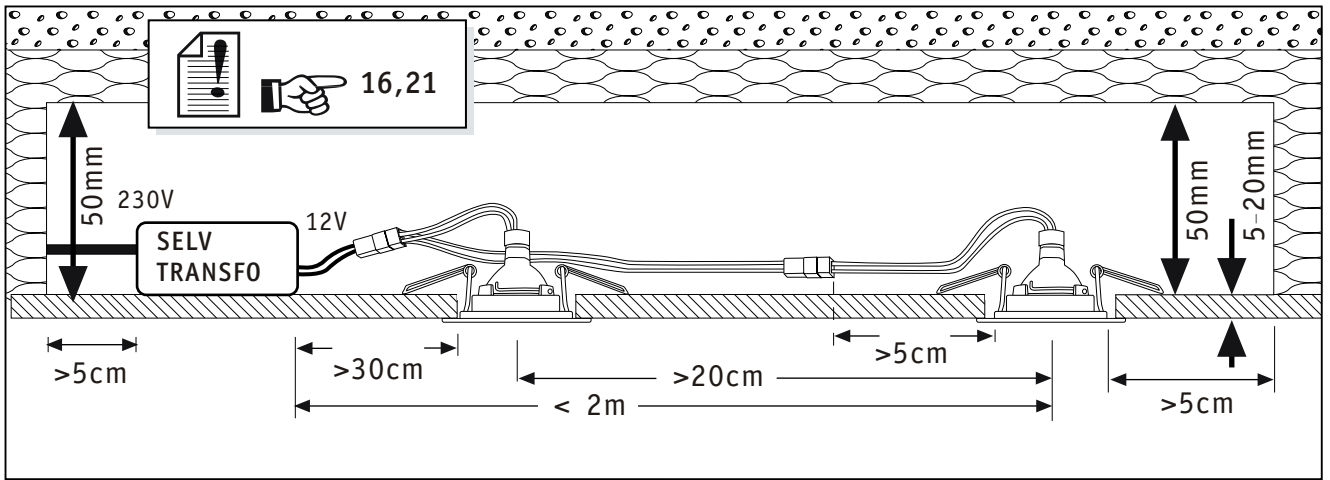


G



H





<p>COOL BEAM</p> <p>Paulmann</p> <p>SECURITY</p>	<p>°C</p>	<p>20 %</p> <p>80 %</p>	<p>Art.No.:</p> <p>20W35mmGU4 822.21</p> <p>35W35mmGU4 822.31</p>
<p>COOL BEAM</p>	<p>°C</p>	<p>60 %</p> <p>40 %</p>	

