



# Safety Instructions



0, 1, 2, 4, 6, 7, 8, 9, 11, 15, 22,



Info Hotline

+49 (0) 5041 998 389

Mon. - Do. 7<sup>00</sup> - 20<sup>00</sup>

Fr. 7<sup>00</sup> - 17<sup>00</sup>



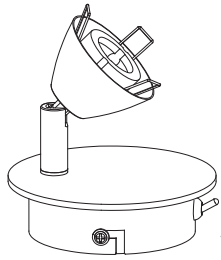
Paulmann Licht GmbH  
31832 Springe / Germany  
www.paulmann.com

Art.-Nr.:

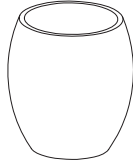
60076

(+MA 173)

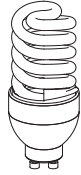
PEA 05/10



1X

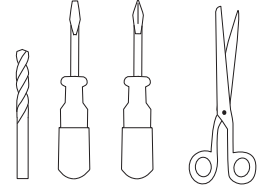
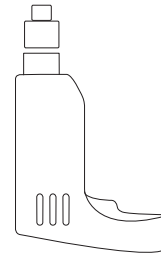
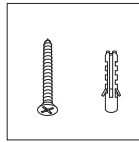


1X

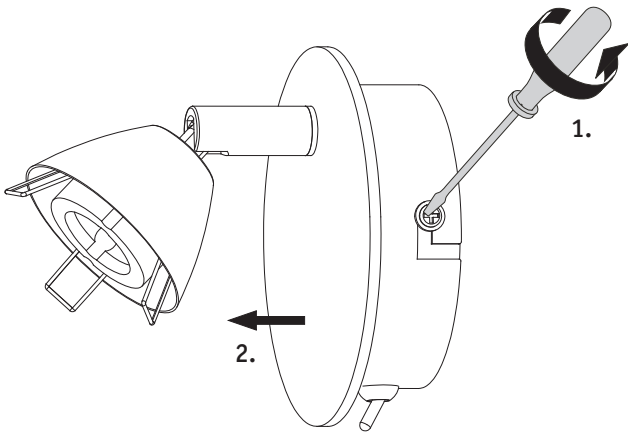


1X

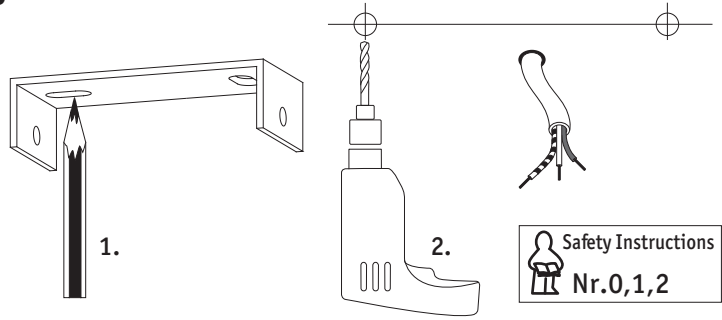
Incl.



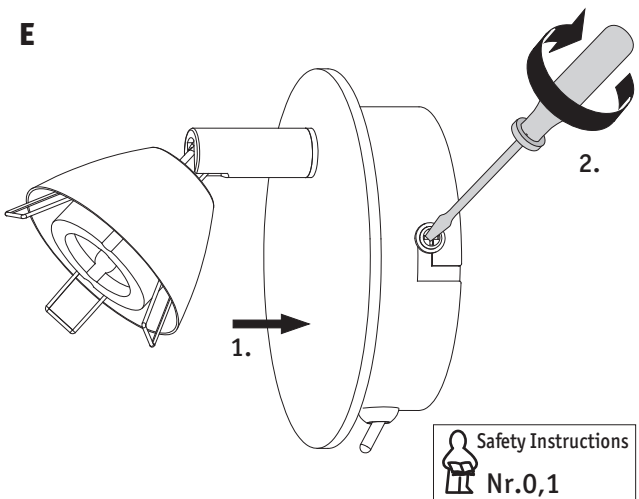
A



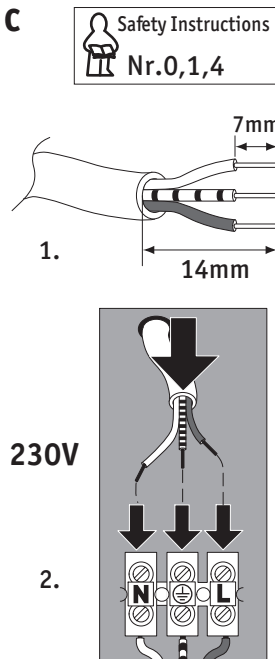
B



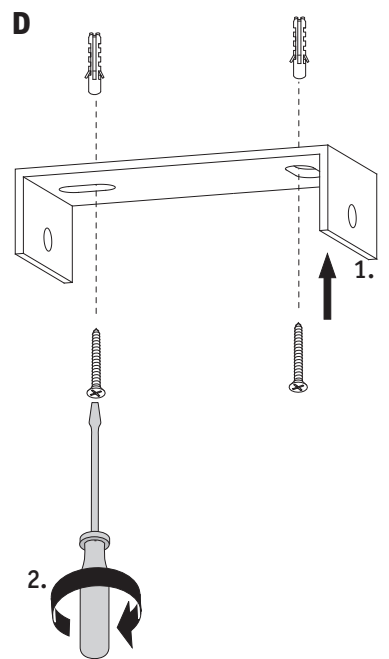
E



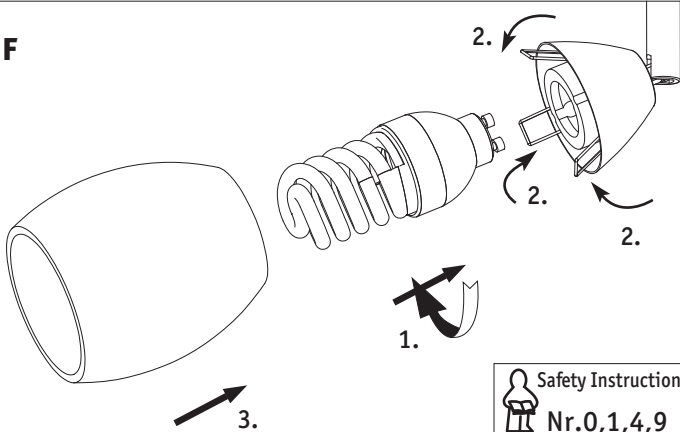
C



D



F



G

