



Safety Instructions



0,1,2,3,4,6,7,8,11,
15,18,22,26,27



+49 (0) 5041 998 389

Mon.-Do. 7⁰⁰ - 20⁰⁰

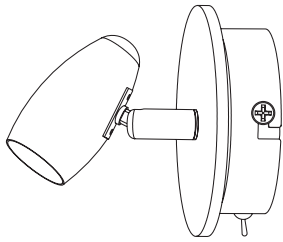
Fr. 7⁰⁰ - 17⁰⁰

Paulmann Licht GmbH
31832 Springe / Germany
www.paulmann.com

Art.-Nr.:
600.85

(+MA 173)

PWA 05/10

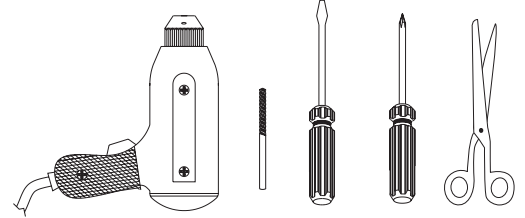
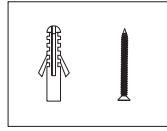


X1

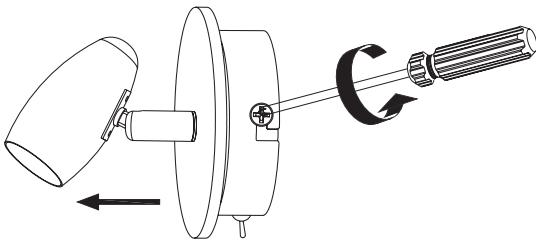


X1

Incl.

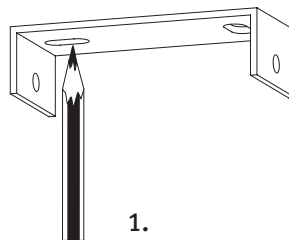


A

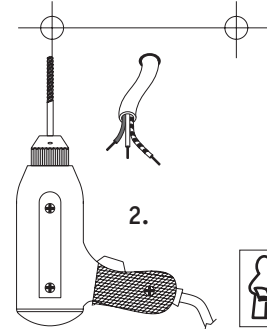


Safety Instructions
Nr.0,1,2

B



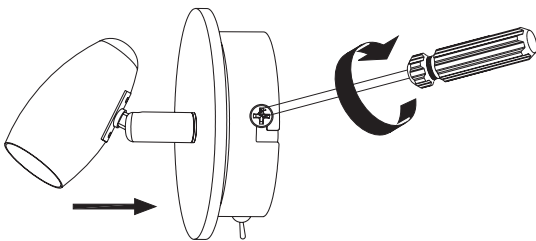
1.



2.

Safety Instructions
Nr.0,1,2

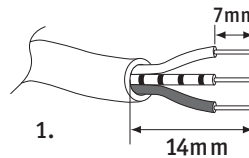
E



Safety Instructions
Nr.0,4

C

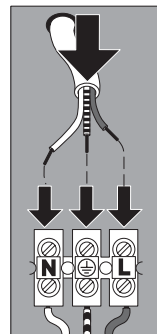
Safety Instructions
Nr.0,4



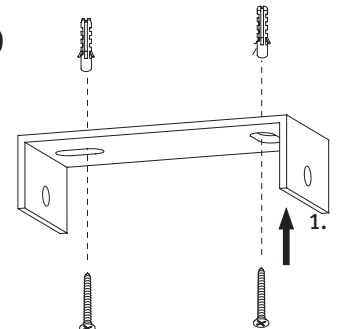
1.

230V

2.



D

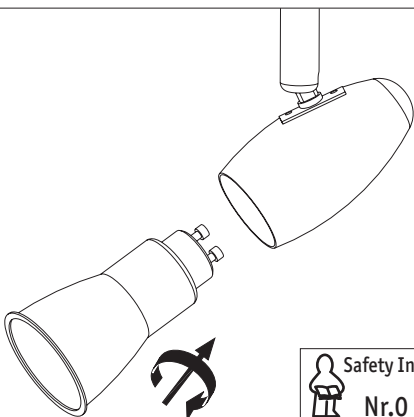


1.

2.

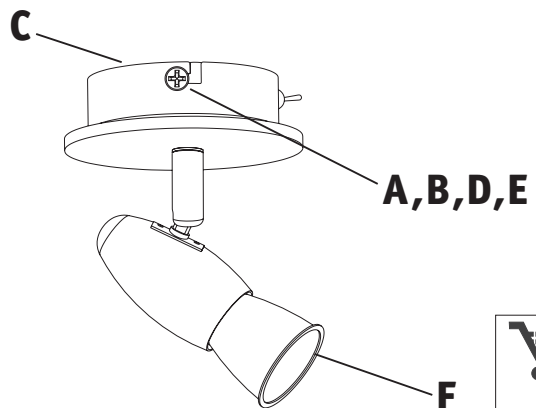
Safety Instructions
Nr.0,4

F



Safety Instructions
Nr.0

G



GU10 8W
Art.Nr.: 882.52