



Safety Instructions



0,1,2,3,4,6,7,8,11,
15,18,22,26,27



+49 (0) 5041 998 389

Mon.-Do. 7⁰⁰ - 20⁰⁰

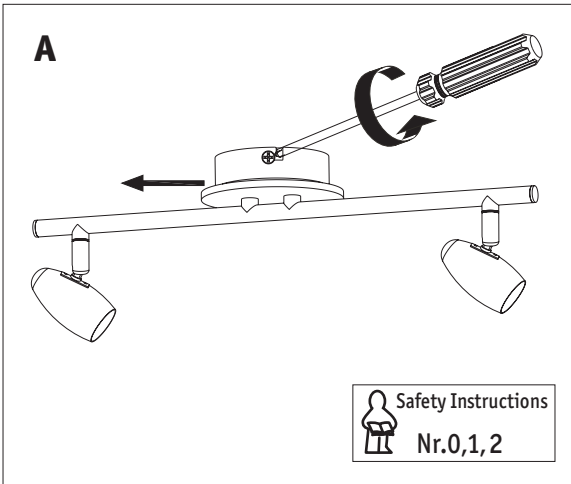
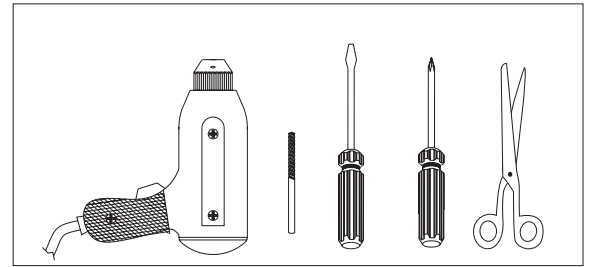
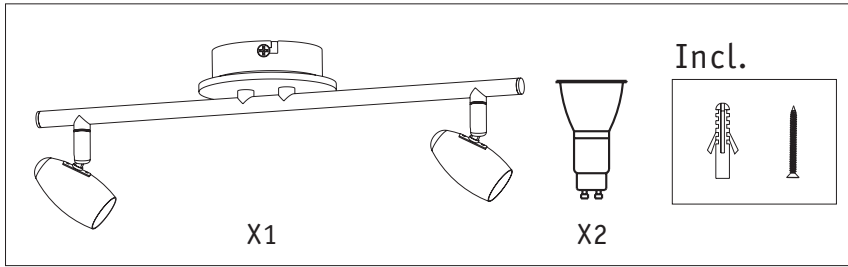
Fr. 7⁰⁰ - 17⁰⁰

Paulmann Licht GmbH
31832 Springe / Germany
www.paulmann.com

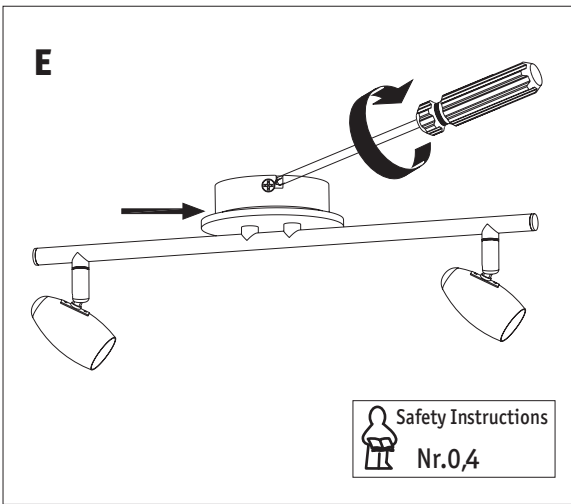
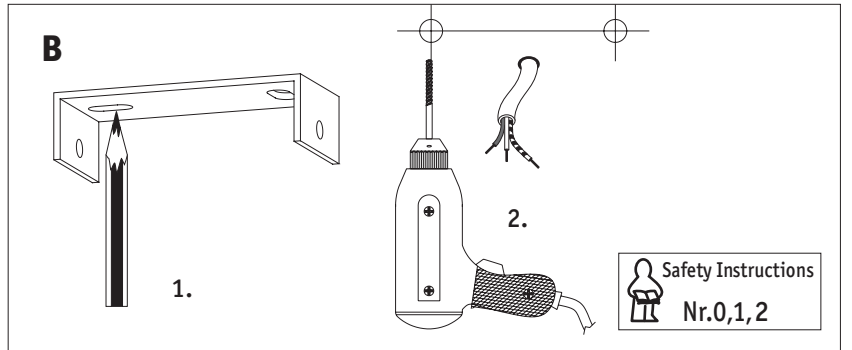
Art.-Nr.:
600.86

(+MA 173)

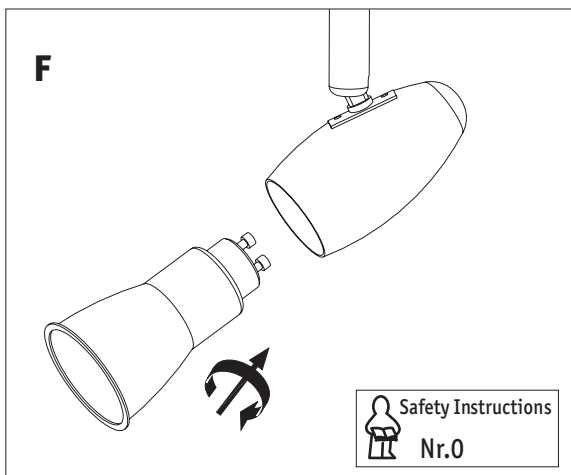
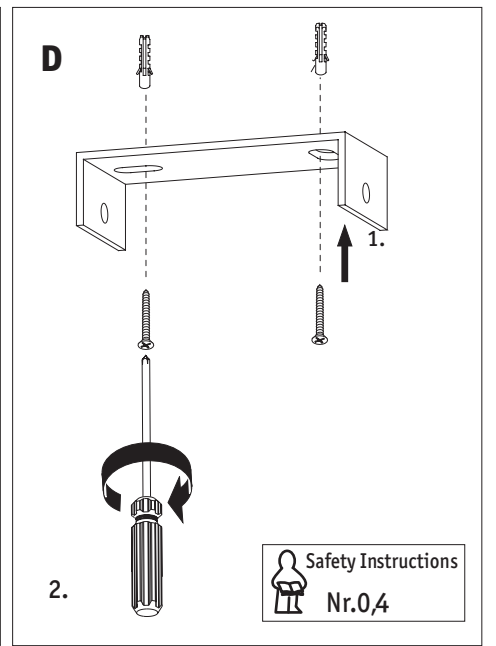
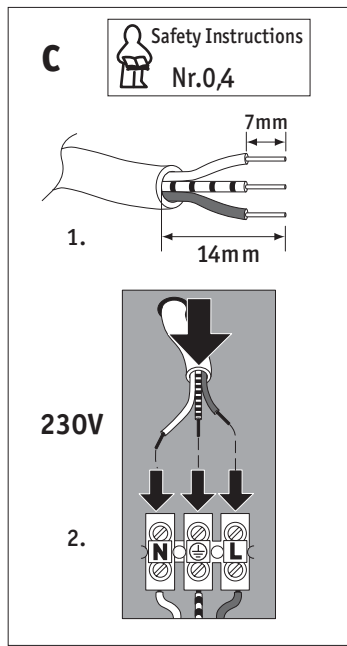
PWA 05/10



Safety Instructions
Nr.0,1,2



Safety Instructions
Nr.0,4



Safety Instructions
Nr.0

