



# Safety Instructions



0,1,2,3,4,6,7,8,11,  
15,18,22,26,27



+49 (0) 5041 998 389

Mon.-Do. 7<sup>00</sup> - 20<sup>00</sup>

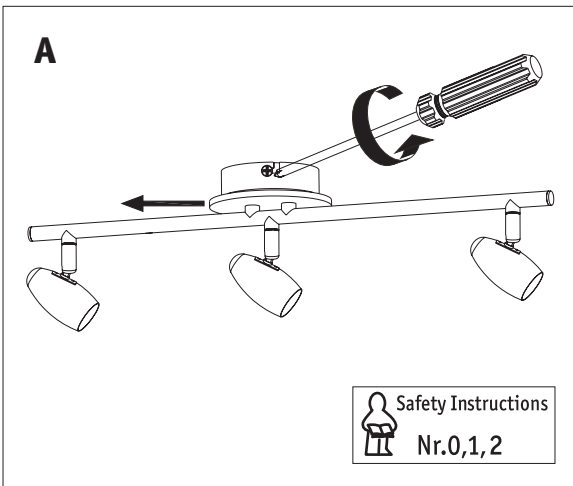
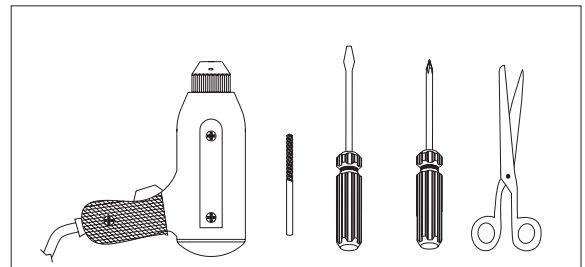
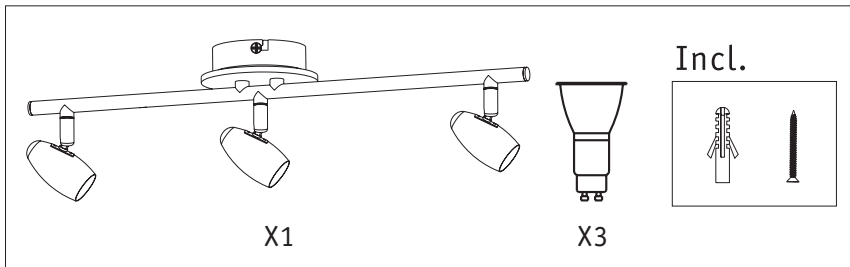
Fr. 7<sup>00</sup> - 17<sup>00</sup>

Paulmann Licht GmbH  
31832 Springe / Germany  
www.paulmann.com

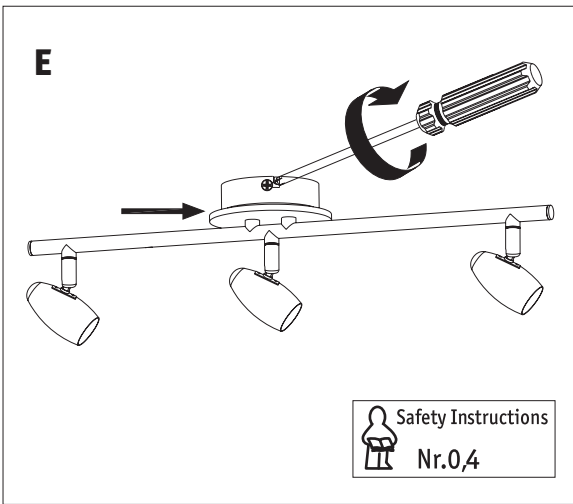
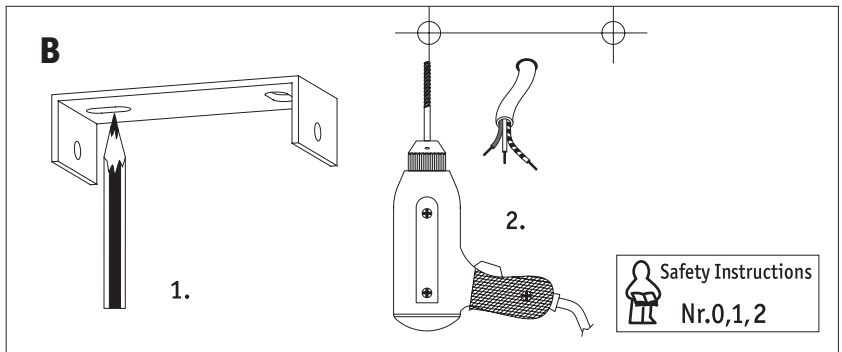
Art.-Nr.:  
600.87

(+MA 173)

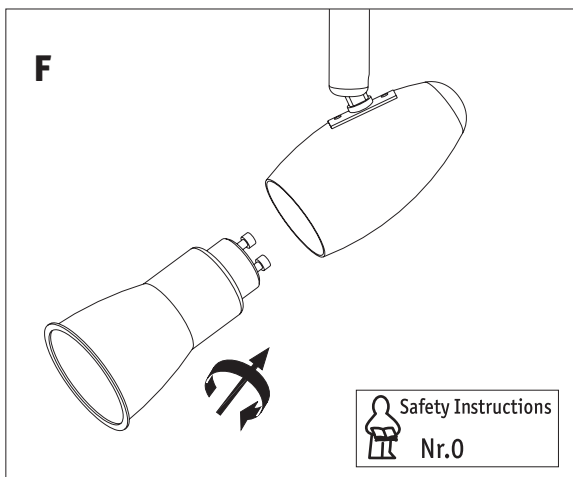
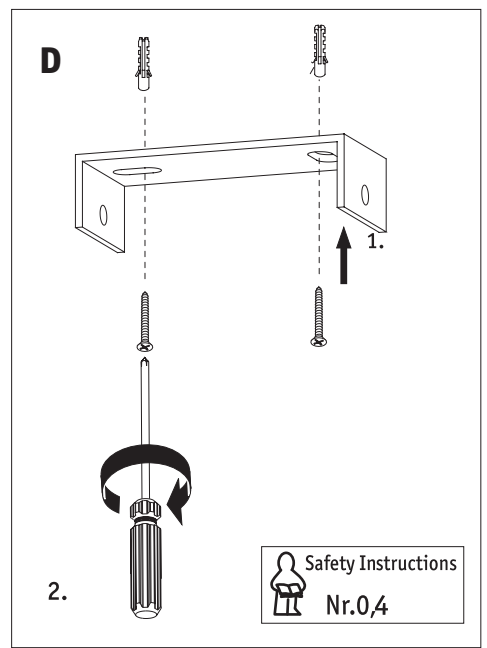
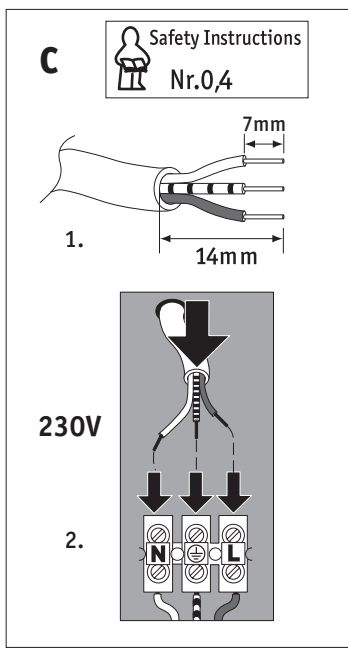
PWA 05/10



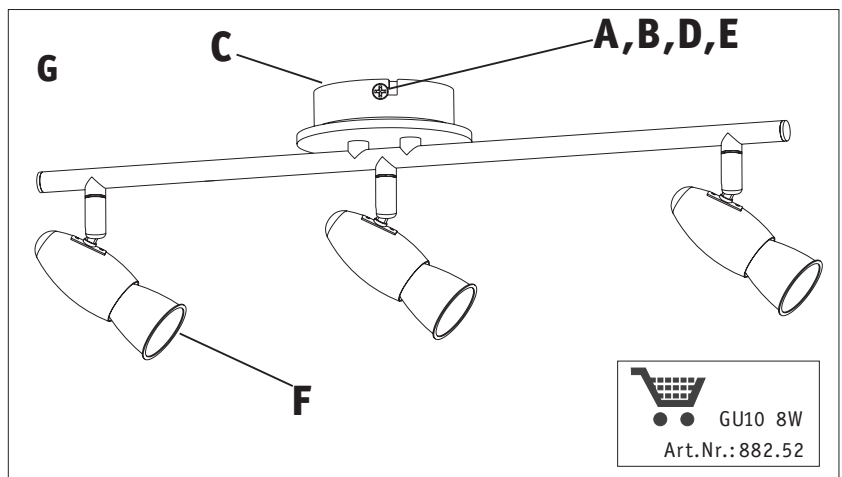
Safety Instructions  
Nr.0,1,2



Safety Instructions  
Nr.0,4



Safety Instructions  
Nr.0



GU10 8W  
Art.Nr.:882.52