


SAFETY INSTRUCTIONS



SAFETY INSTRUCTIONS

0, 1, 2, 4, 5, 12, 15,
16, 17, 19, 21

PAULMANN LICHT GmbH

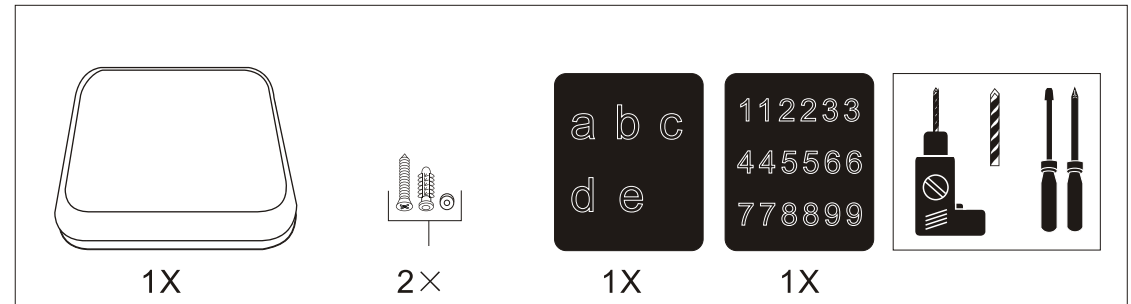
Quezinger Feld 2 · D-31832 Springe
www.paulmann.com

📞 +49(0)5041 998 389

🕒 7⁰⁰ - 20⁰⁰
Mon, -Fri

???

INFO-LINE



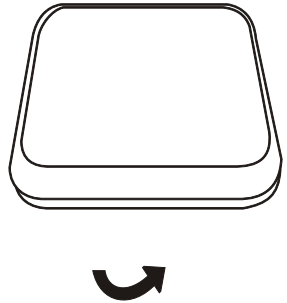
1X

2X

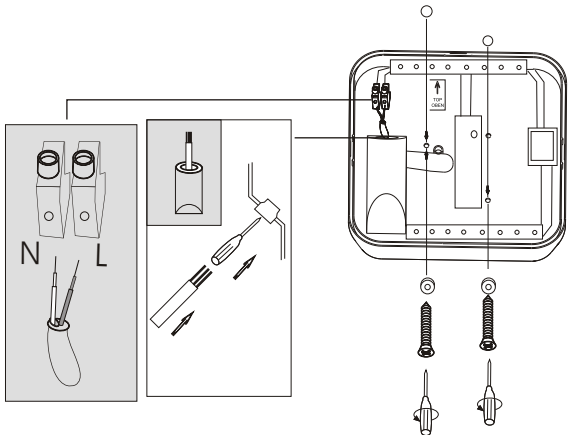
1X

1X

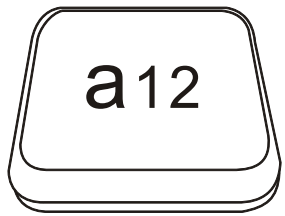
A



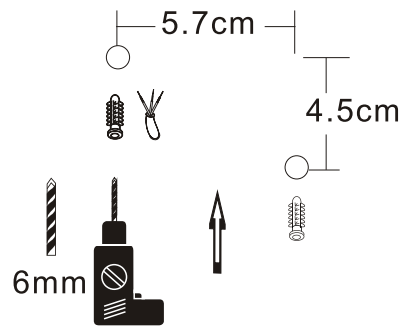
C



E



B



5.7cm

4.5cm

6mm

D

