



# Safety Instructions



0, 1, 2, 3, 4, 6, 7, 8, 9, 11,  
15, 18, 20, 22, 25, 26, 27



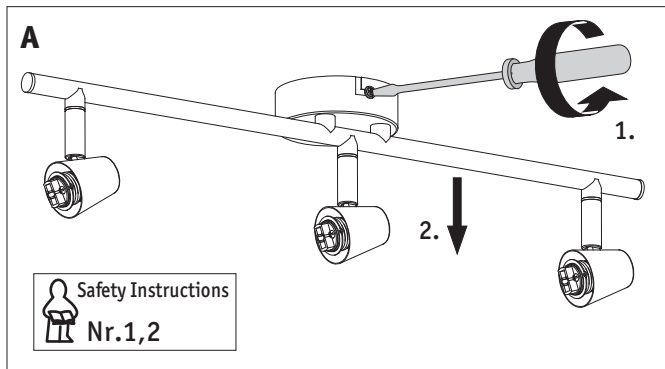
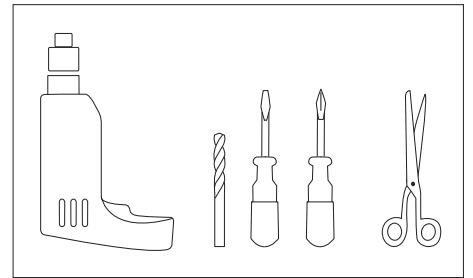
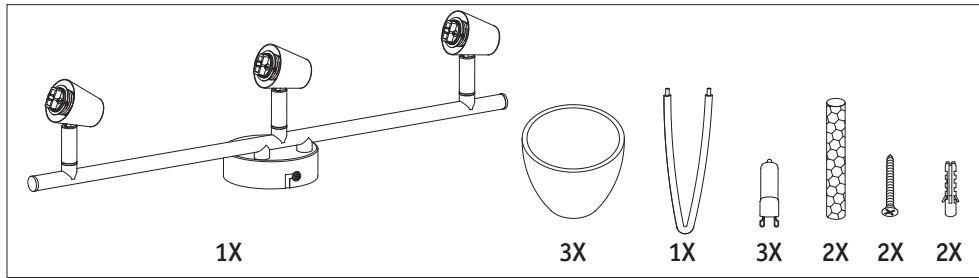
Info Hotline **+49 (0) 5041 998 389**  
Mon. - Do. 7<sup>00</sup> - 20<sup>00</sup>  
Fr. 7<sup>00</sup> - 17<sup>00</sup>

Paulmann Licht GmbH  
31832 Springe / Germany  
www.paulmann.com

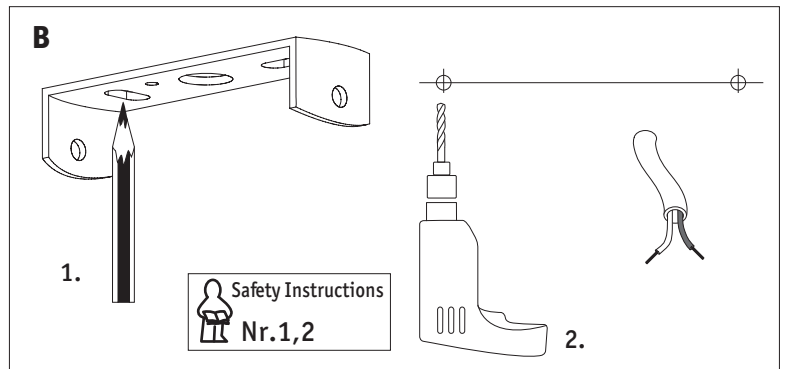
Art.-Nr.:  
**66038**  
**66045**

(+MA 173)

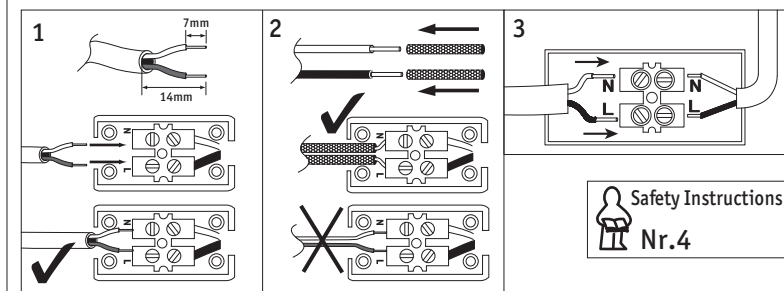
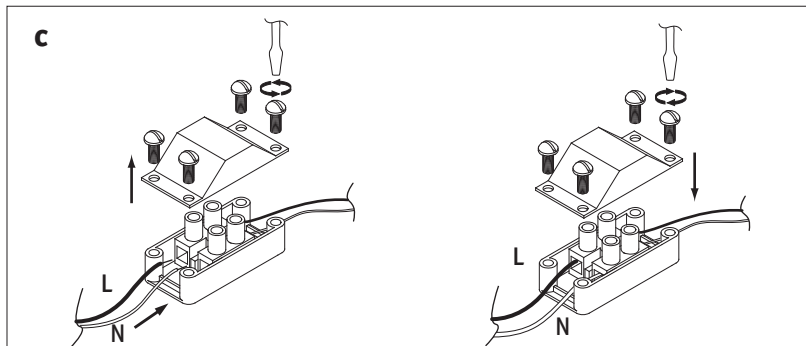
PEA 06/09



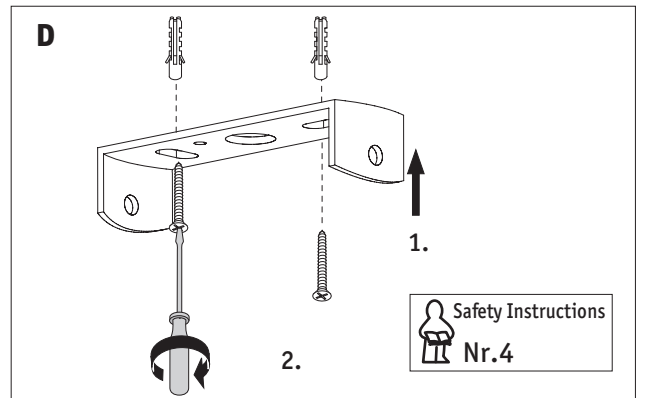
Safety Instructions  
Nr.1,2



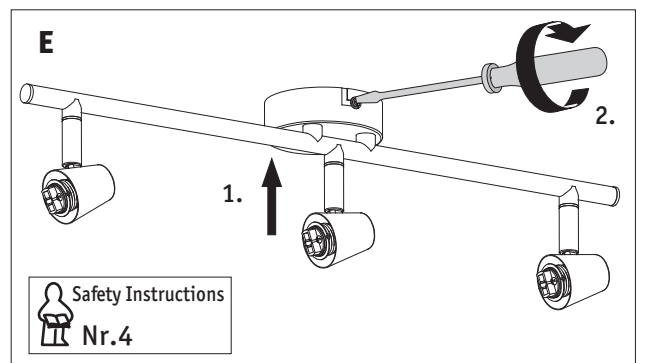
Safety Instructions  
Nr.1,2



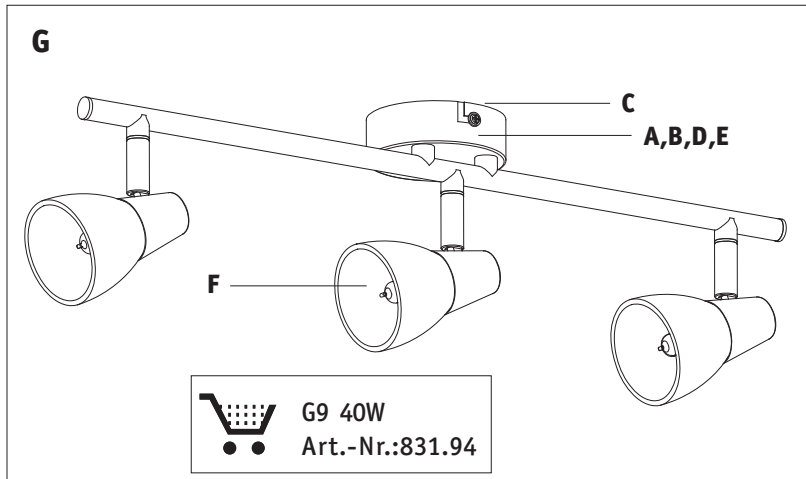
Safety Instructions  
Nr.4



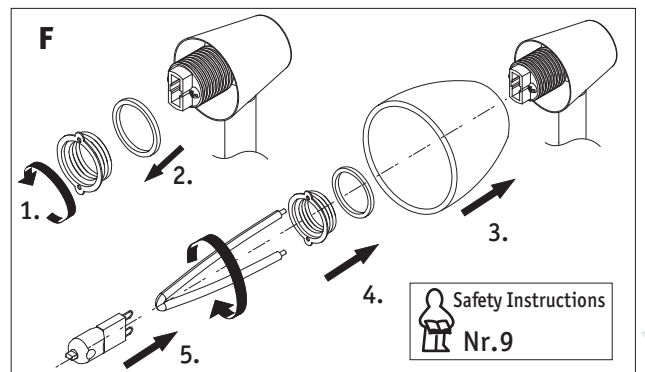
Safety Instructions  
Nr.4



Safety Instructions  
Nr.4



**G9 40W**  
**Art.-Nr.:831.94**



Safety Instructions  
Nr.9