



Safety Instructions



0, 1, 2, 3, 4, 6, 7, 8, 9, 11,
15, 18, 20, 22, 25, 26, 27



Info Hotline

+49 (0) 5041 998 389

Mon. - Do. 7⁰⁰ - 20⁰⁰

Fr. 7⁰⁰ - 17⁰⁰



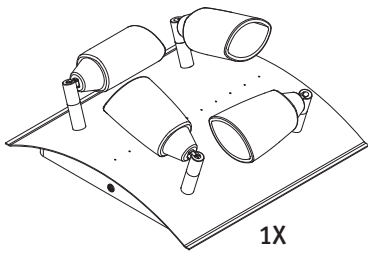
Paulmann Licht GmbH
31832 Springe / Germany
www.paulmann.com

Art.-Nr.:

66343

(+MA 173)

PEA 08/09



1X



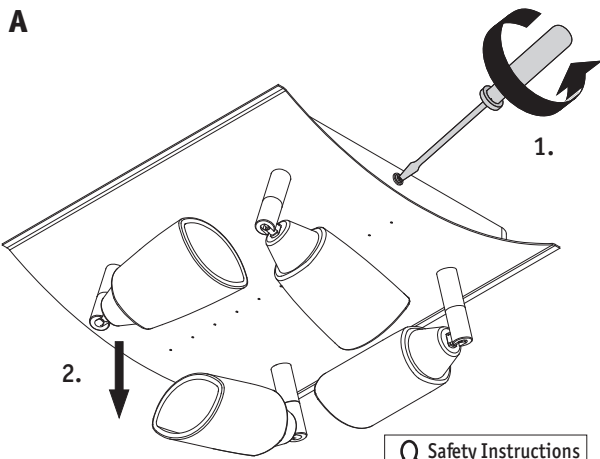
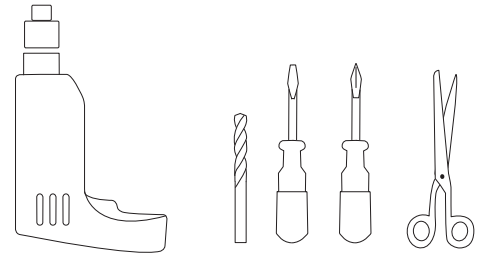
4X



2X



2X

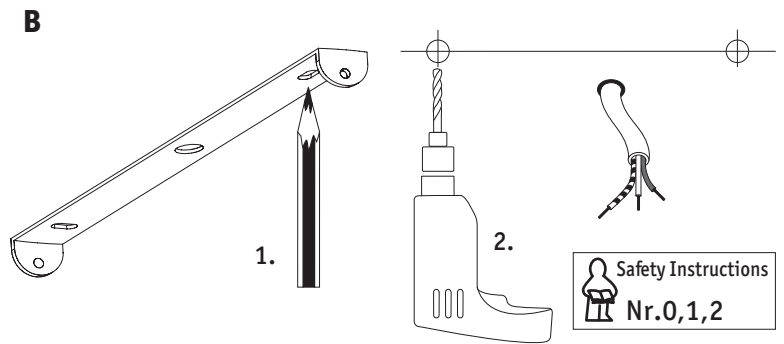


A

1.

2.

Safety Instructions
Nr. 0,1,2

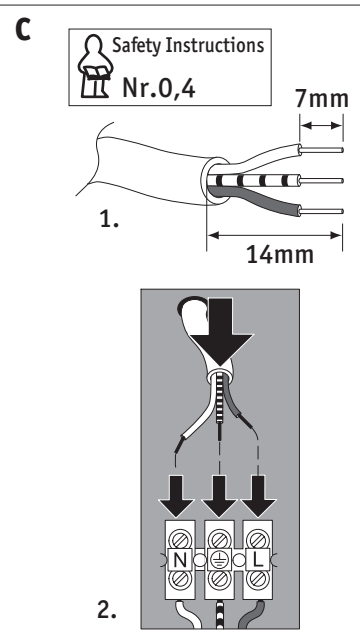


B

1.

2.

Safety Instructions
Nr. 0,1,2



C

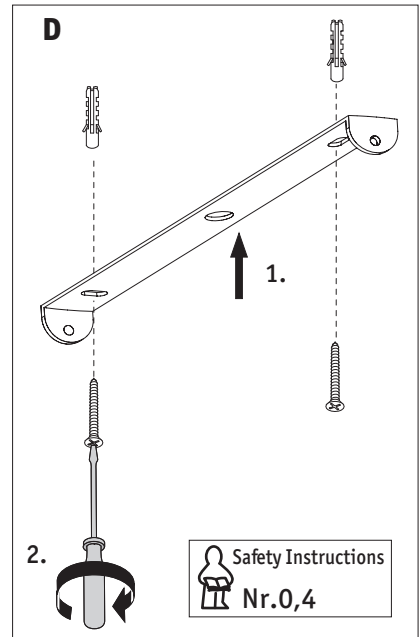
Safety Instructions
Nr. 0,4

7mm

1.

14mm

2.

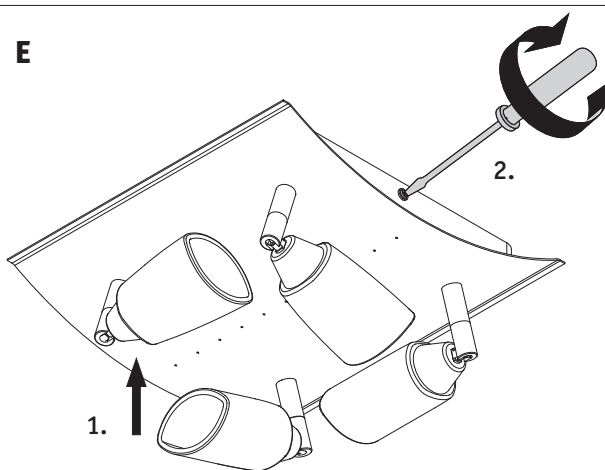


D

1.

2.

Safety Instructions
Nr. 0,4

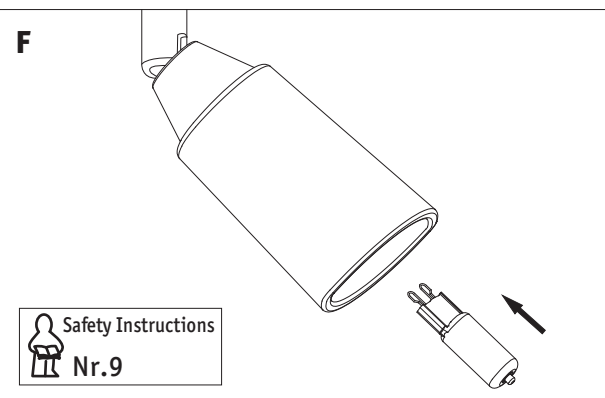


E

2.

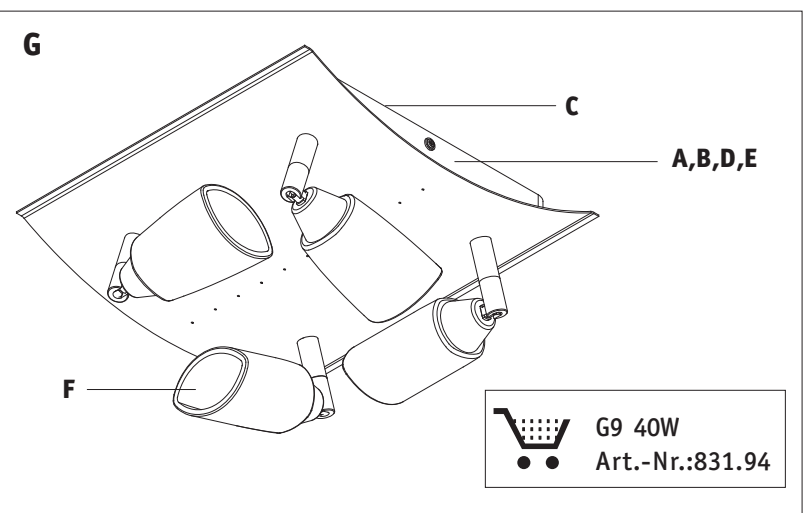
1.

Safety Instructions
Nr. 0,4



F

Safety Instructions
Nr. 9



G

C

A,B,D,E

F



G9 40W

Art.-Nr.:831.94