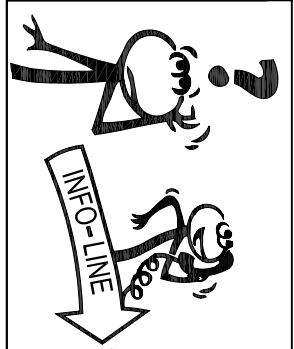
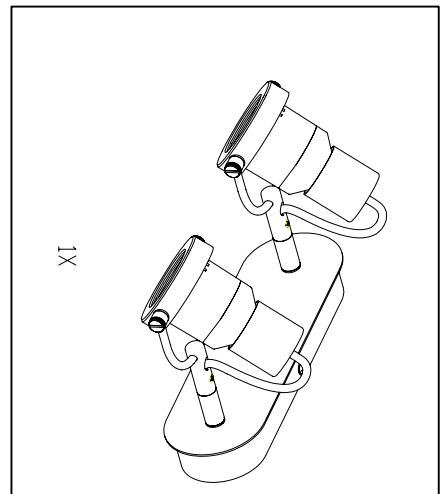


Safety Instructions

0, 1, 2, 4, 6, 7, 8, 9, 11, 15, 22



Paulmann Licht GmbH
 Quezinger Feld 2
 D-31832 Springe
www.Paulmann.com
 +49 (0) 5041 998 389
 Mo.-Do. ☎ 7⁰⁰ - 20⁰⁰ ☎
 Fr. ☎ 7⁰⁰ - 17⁰⁰ ☎



1X

2X



2X

