



Safety Instructions



0, 1, 2, 4, 6, 7, 8, 9
11, 15, 18, 20, 22, 25, 27



Info Hotline

+49 (0) 5041 998 389

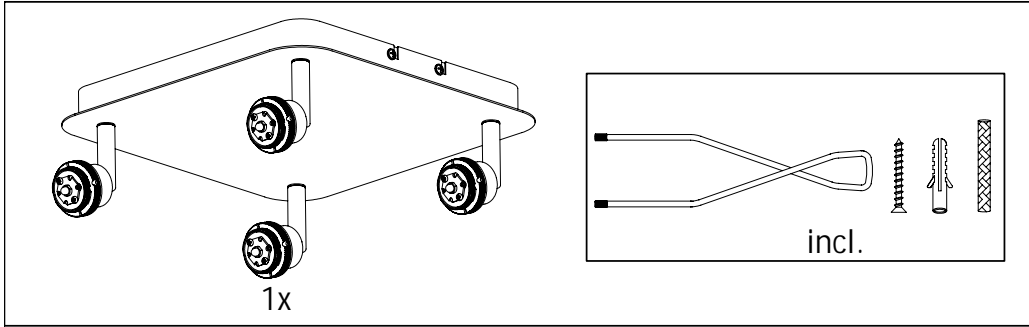
Mon.-Do. 7⁰⁰-20⁰⁰

Fr. 7⁰⁰-17⁰⁰

Paulmann Licht GmbH
31832 Springe / Germany
www.paulmann.com

Art.-Nr.:
66541

(+MA 173)
PDG 07/10



1x

