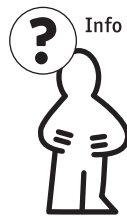
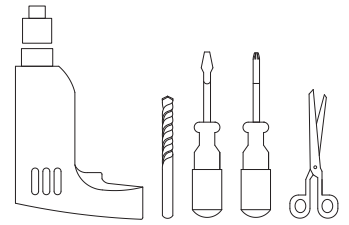
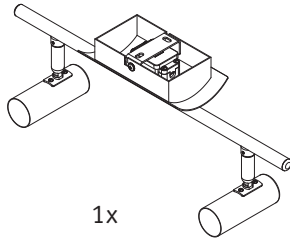




0, 1, 2, 3, 4, 6, 7, 8, 9, 11,  
15, 22

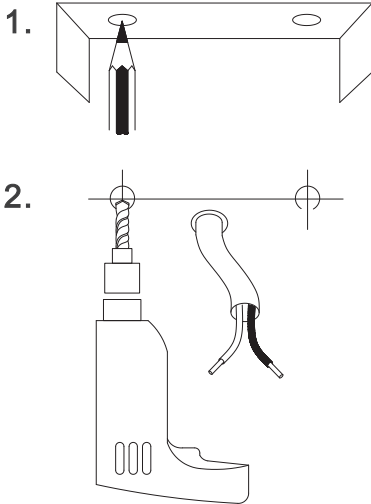


Paulmann Licht GmbH  
31832 Springe / Germany  
www.paulmann.com

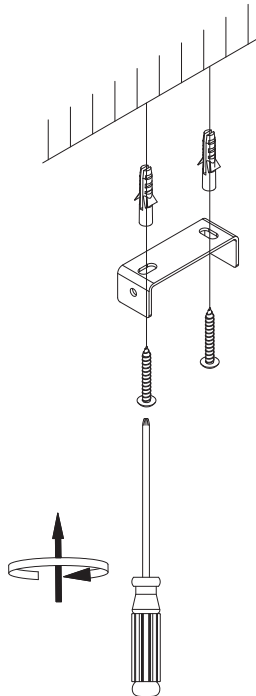


**A**

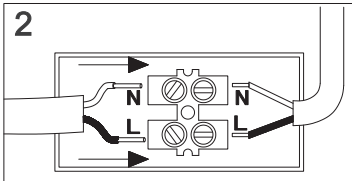
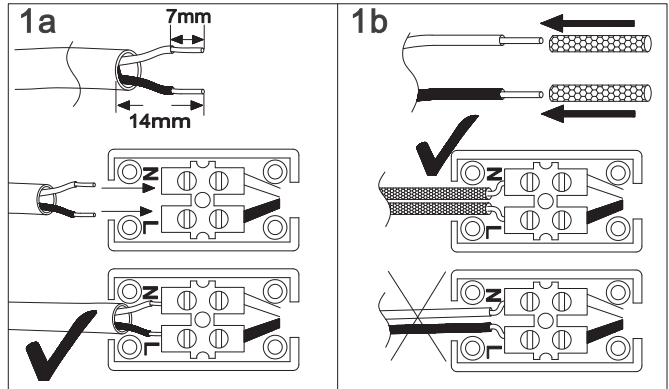
 Safety Instructions  
Nr. 0,2




**B**

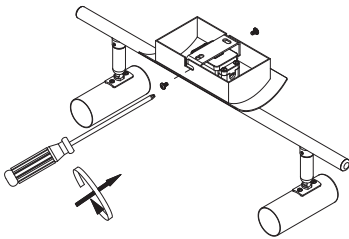


**C**




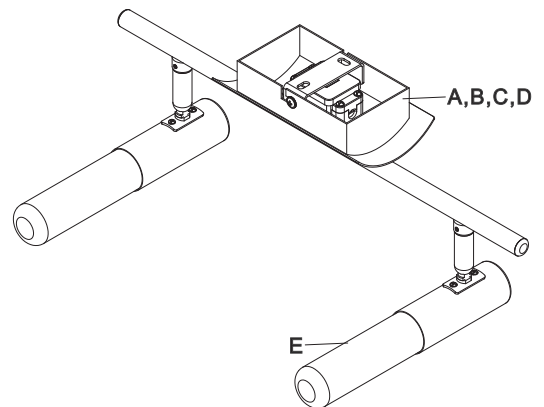
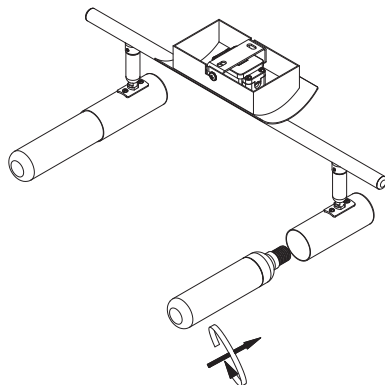
 Safety Instructions  
Nr. 3, 4

**D**



**E**

 Safety Instructions  
Nr. 7, 8



Art. No.  
10W Ø30mm E14 882.22