



# Safety Instructions



0, 1, 2, 3, 4, 6, 7, 8, 9, 11,  
15, 22, 25, 26, 27



+49 (0) 5041 998 389

Mon. - Do. 7<sup>00</sup> - 20<sup>00</sup>

Fr. 7<sup>00</sup> - 17<sup>00</sup>

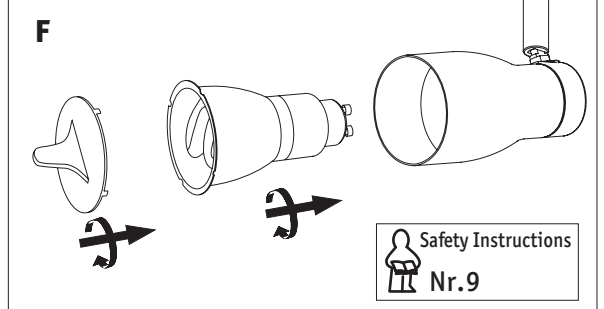
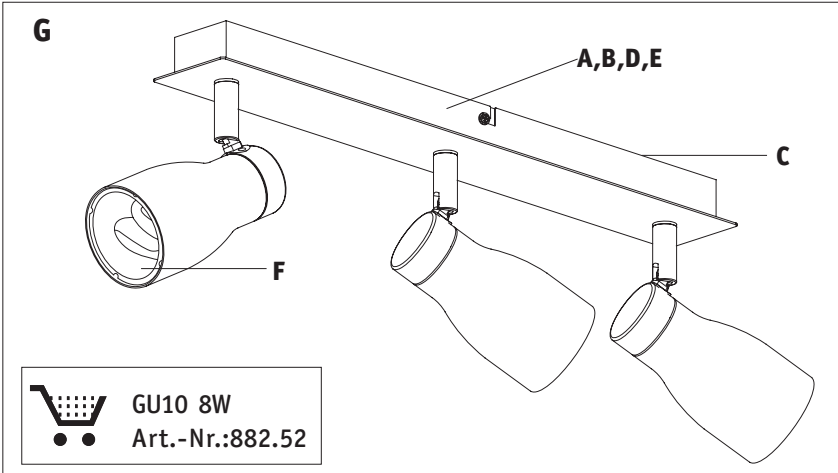
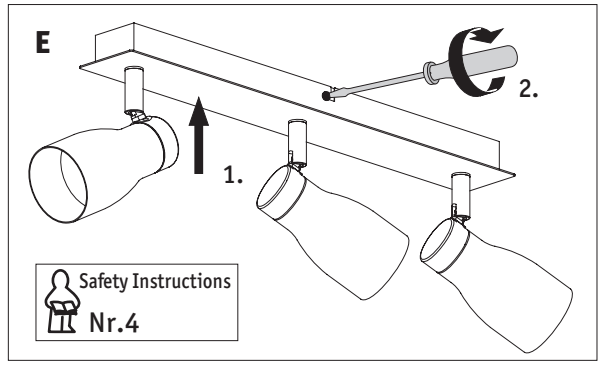
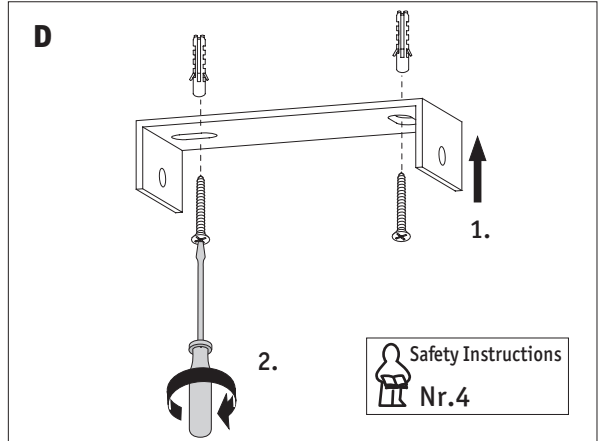
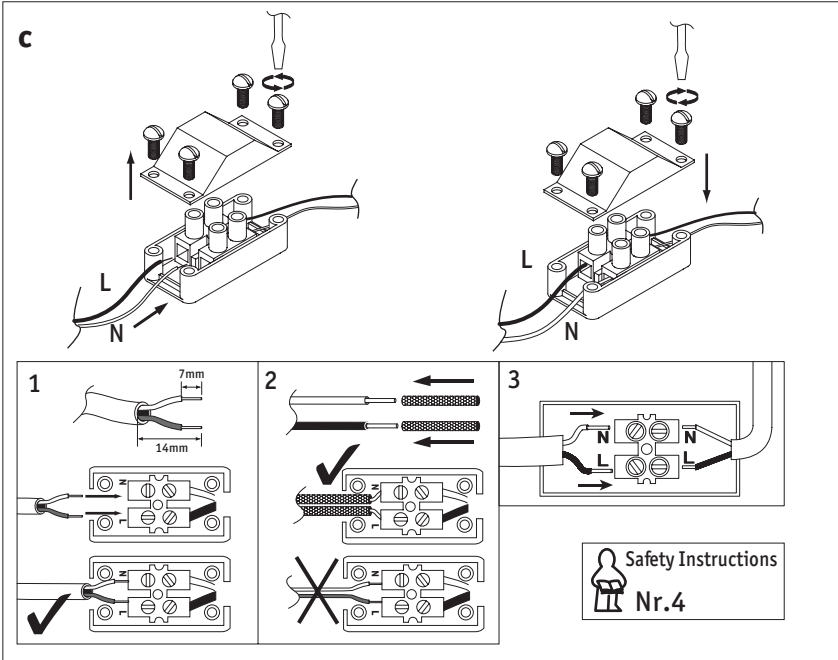
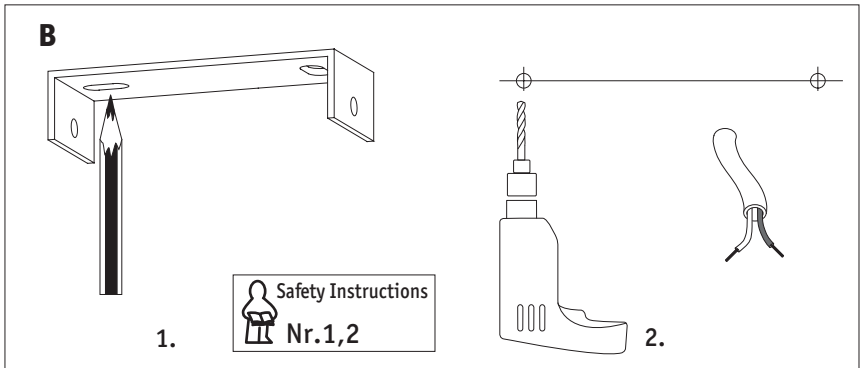
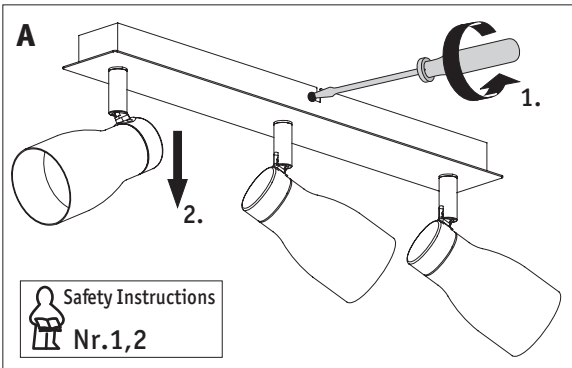
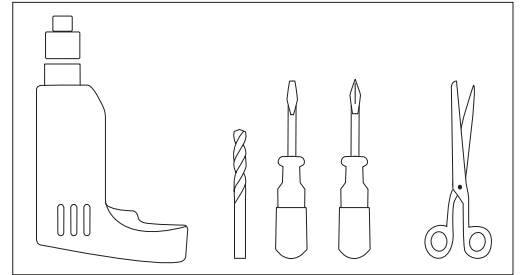
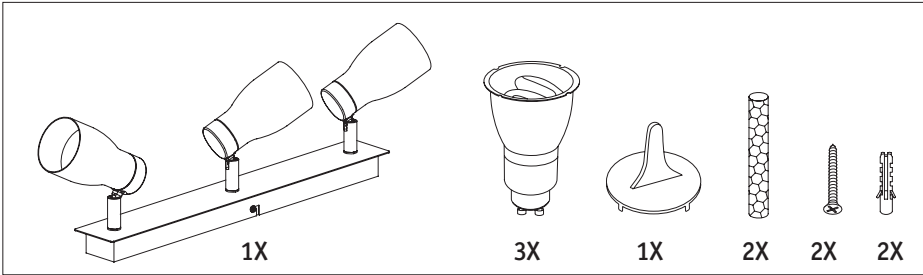


Paulmann Licht GmbH  
31832 Springe / Germany  
www.paulmann.com

Art.-Nr.:  
**66585**

(+MA 173)

PEA 06/09



**GU10 8W**  
**Art.-Nr.:882.52**

**Safety Instructions**  
**Nr.9**