


Safety Instructions



0, 1, 2, 3, 4, 6, 7, 8, 9, 11,
15, 22



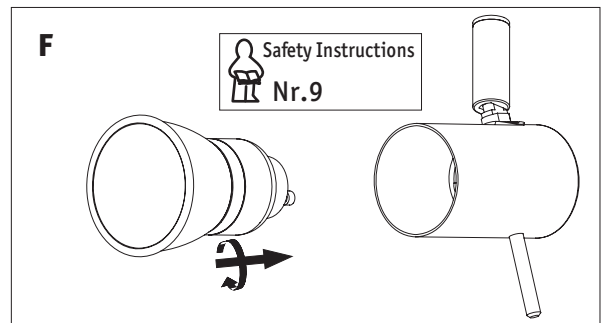
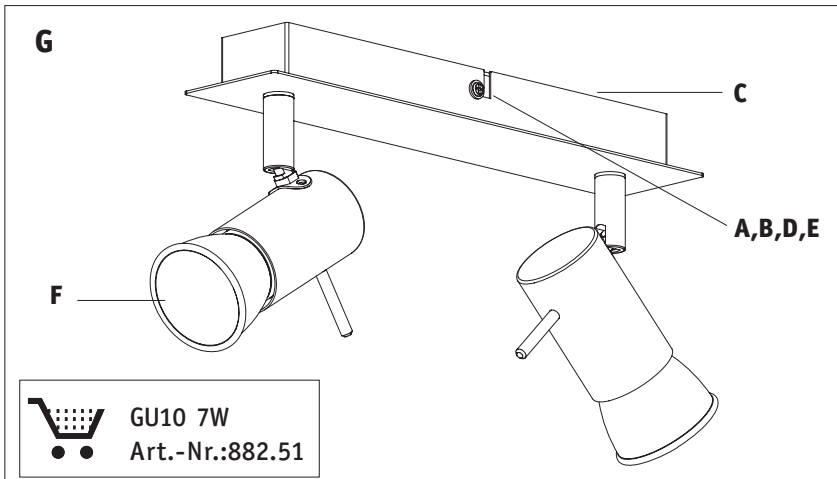
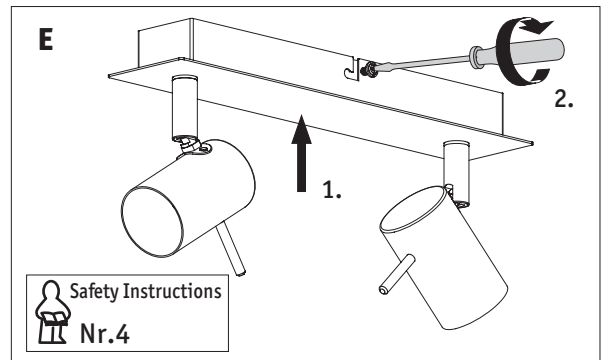
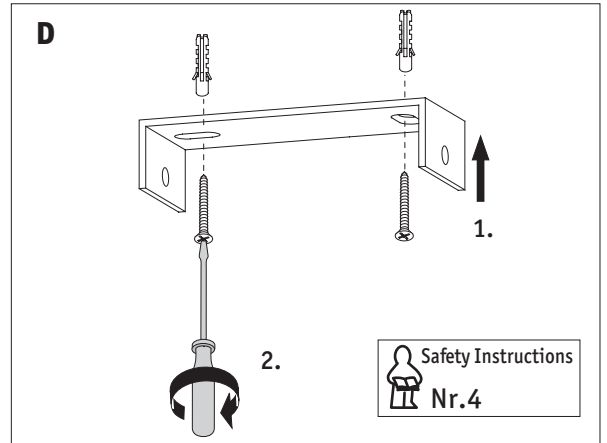
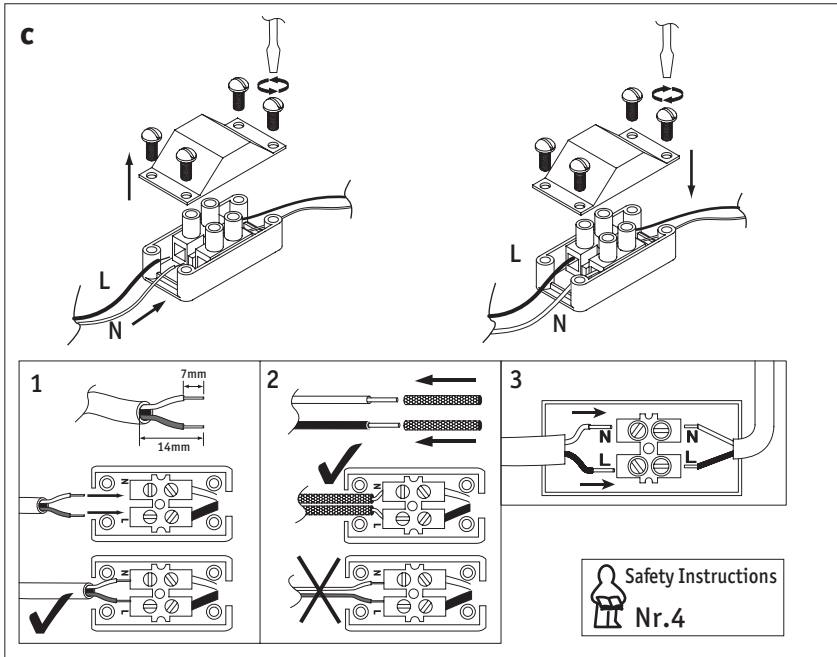
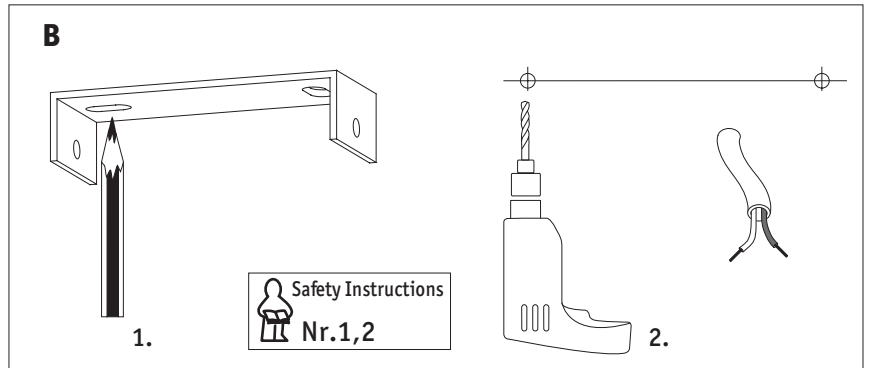
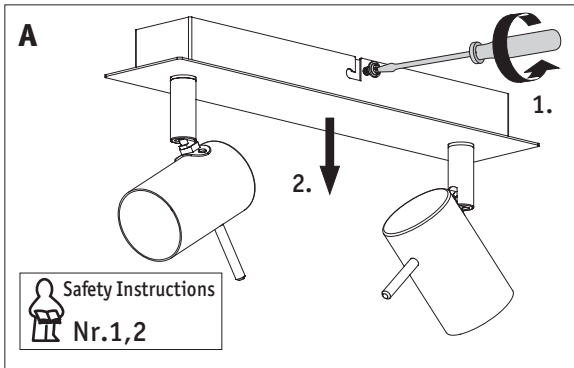
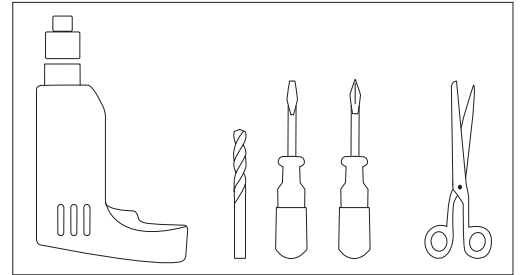
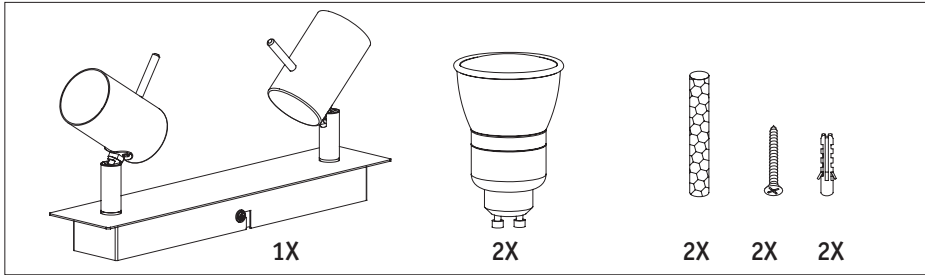
Info Hotline  **+49 (0) 5041 998 389**
Mon. - Do. 7⁰⁰ - 20⁰⁰
Fr. 7⁰⁰ - 17⁰⁰


Paulmann Licht GmbH
31832 Springe / Germany
www.paulmann.com

Art.-Nr.:
66592

(+MA 173)

PEA 06/09



 **GU10 7W**
Art.-Nr.:882.51