

Safety Instructions

0, 1, 2, 3, 4, 6, 7, 8, 9, 11, 15, 18, 22, 25

Paulmann Licht GmbH
 Quezinger Feld 2
 D-31832 Springe
www.paulmann.com

INFO-LINE ☎ +49 (0) 5041 998 389
 Mon.-Do. ☎ 7⁰⁰-20⁰⁰
 Fr. ☎ 7⁰⁰-17⁰⁰



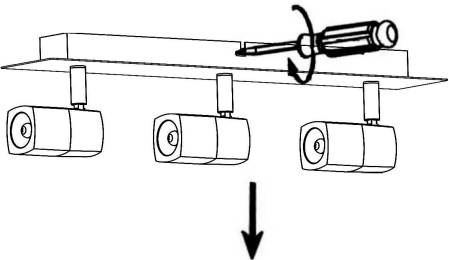
3 x 40W



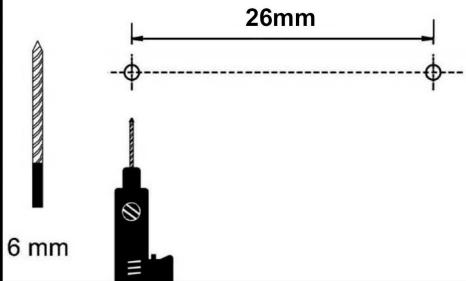
2 X



A

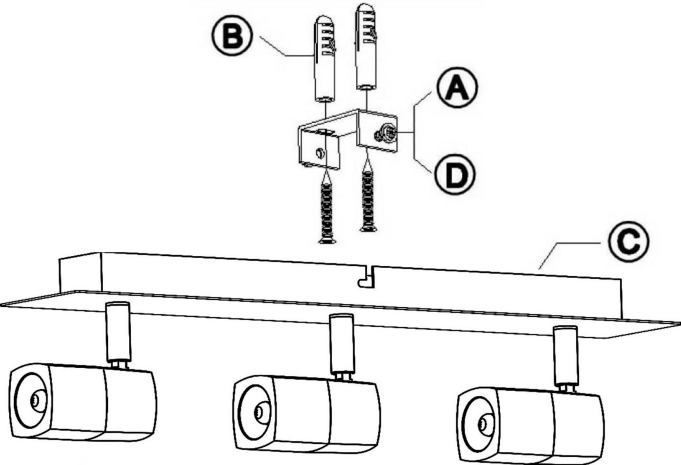


B



6 mm

26 mm



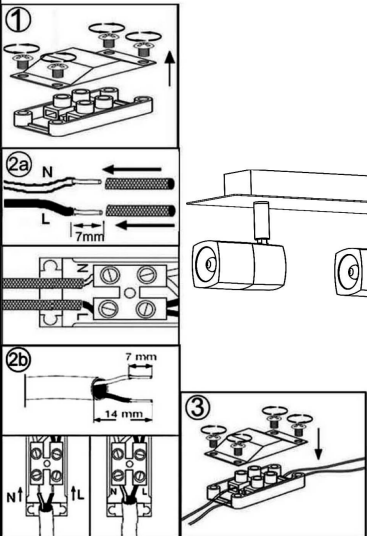
B

A

D

C

C



①

2a N

L 7 mm

2b 7 mm

14 mm

③

N

L

D

