



Safety Instructions



0, 1, 3, 4, 7, 8, 1, 2, 23, 6, 27, 2..



+49 (0) 5041 998 389

Mon.-Do. 7⁰⁰ - 20⁰⁰

Fr. 7⁰⁰ - 17⁰⁰

Paulmann Licht GmbH
31832 Springe / Germany
www.paulmann.com

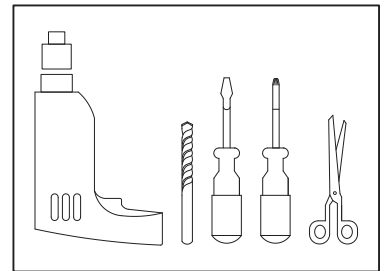
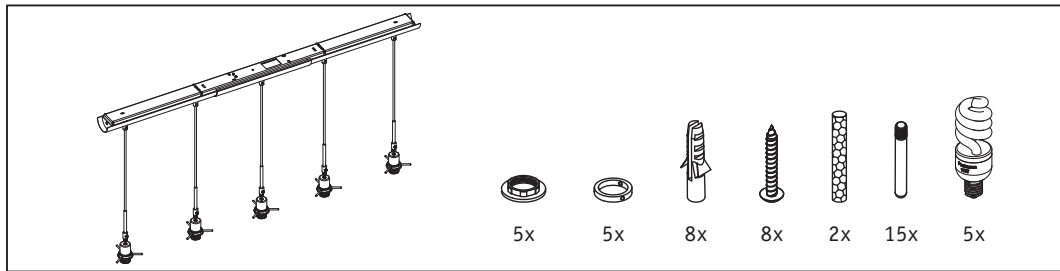
Art.-Nr.:

7 079

7 080

(+MA 173)

PYL 07/09



A

1.

2.

B

Safety Instructions
Nr.

1.

2.

C

1.

2.

D

1.

2.


3.

E

1.

2.

3.





0, 1, 3, 4, 7, 8, 1, 2, 23, 6, 27, 2..



Info Hotline

+49 (0) 5041 998 389

Mon.-Do. 7⁰⁰ - 20⁰⁰

Fr. 7⁰⁰ - 17⁰⁰

Paulmann Licht GmbH
31832 Springe / Germany
www.paulmann.com

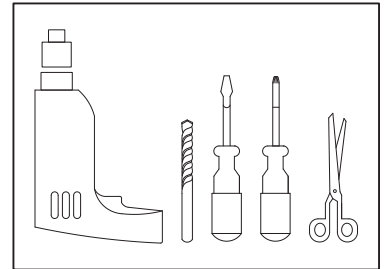
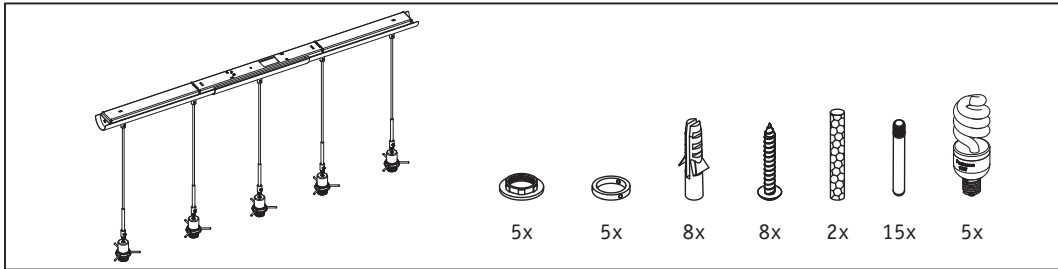
Art.-Nr.:

7 079

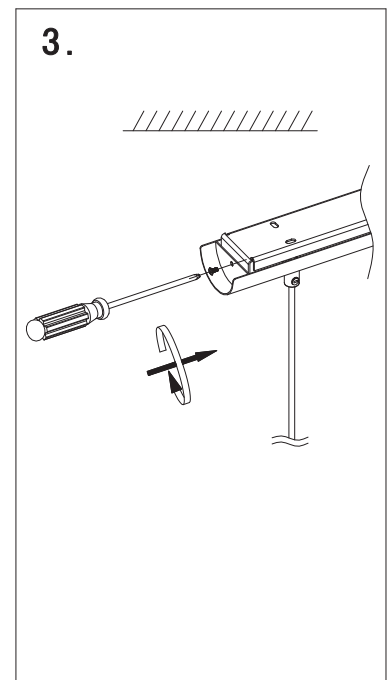
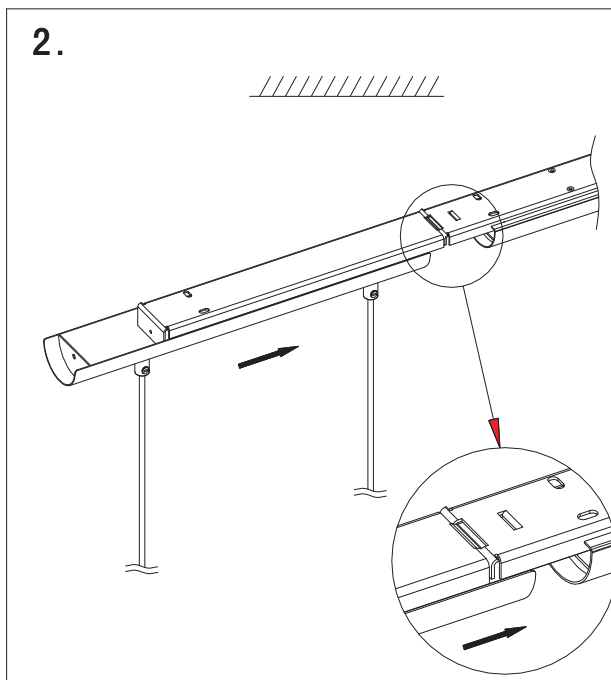
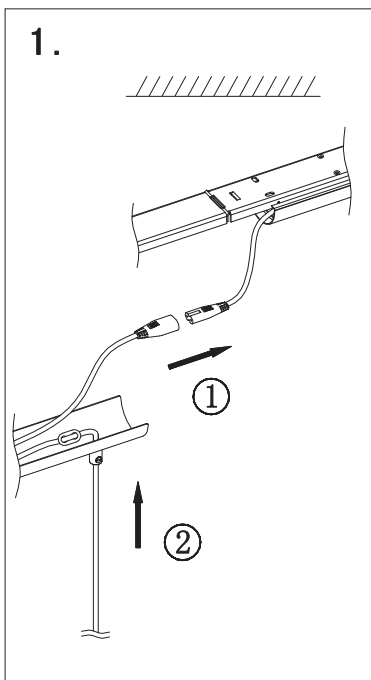
7 080

(+MA 173)

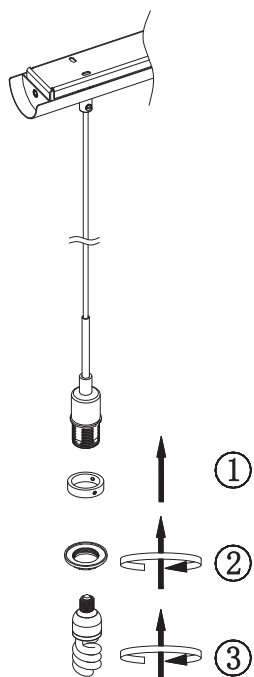
PYL 07/09



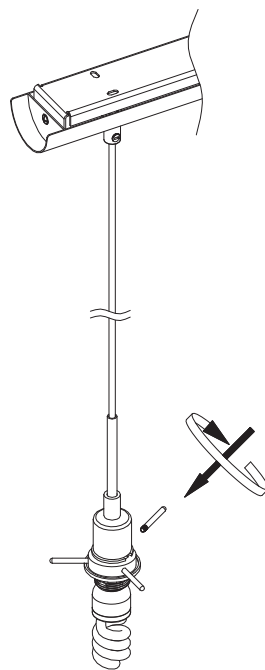
F



G



H



I

