

P

Paulmann

Safety Instructions



Info Hotline



+49 (0) 5041 998 389

Mon. - Do. 7⁰⁰ - 20⁰⁰

Fr. 7⁰⁰ - 17⁰⁰

Paulmann Licht GmbH
31832 Springe / Germany
www.paulmann.com

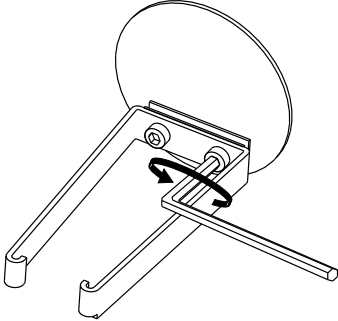
Art.-Nr.:

701.14

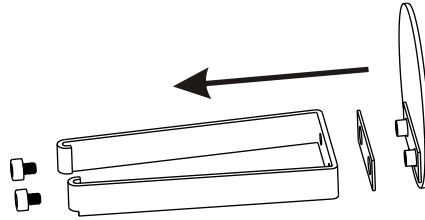
701.17

PBO 12 / 09

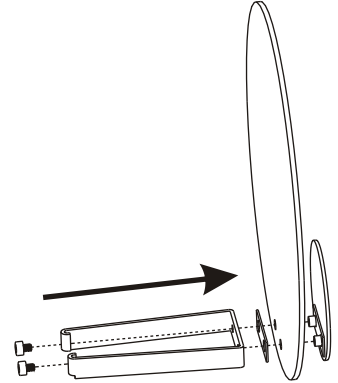
A



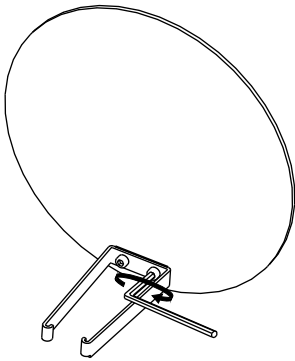
B



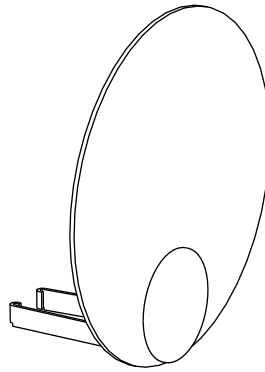
C



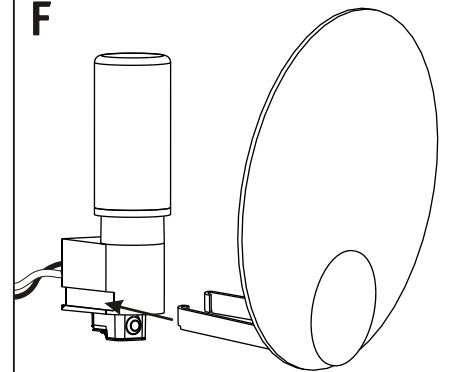
D



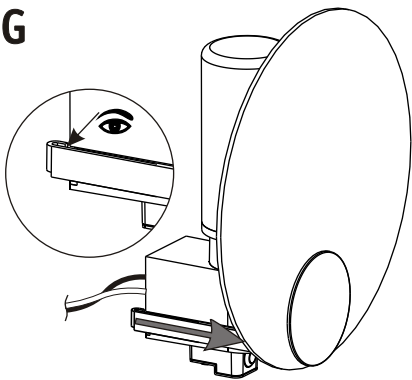
E



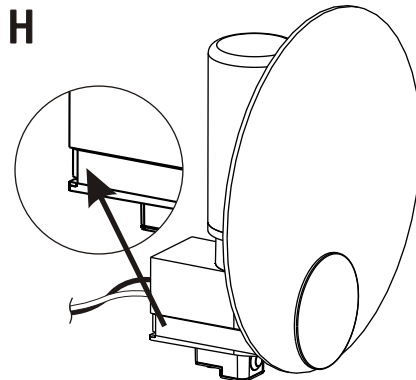
F



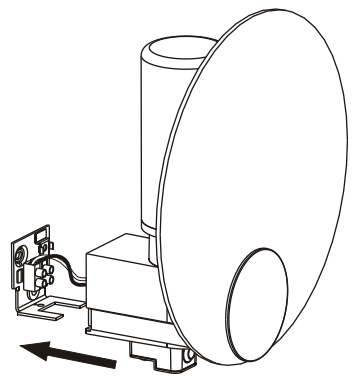
G



H



I



J

