



# Safety Instructions



5, 6, 7, 8, 11, 15, 22, 26, 27, 28



Info Hotline 

**+49 (0) 5041 998 389**

Mon. - Do. 7<sup>00</sup> - 20<sup>00</sup>

Fr. 7<sup>00</sup> - 17<sup>00</sup>

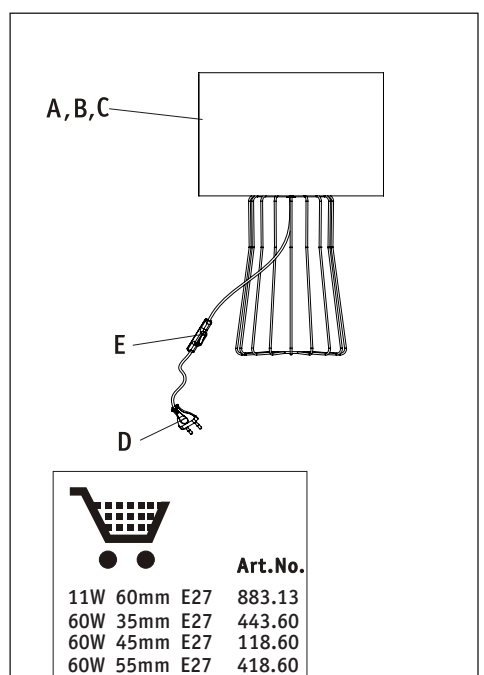
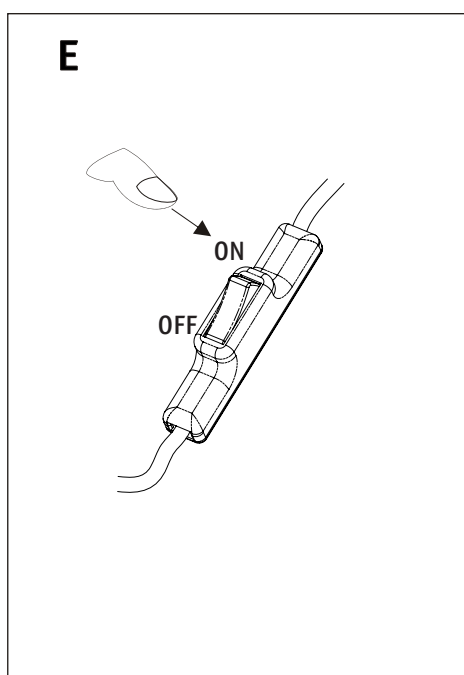
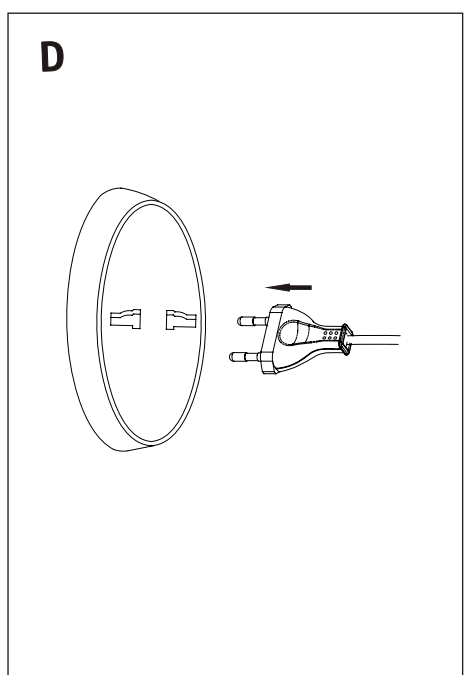
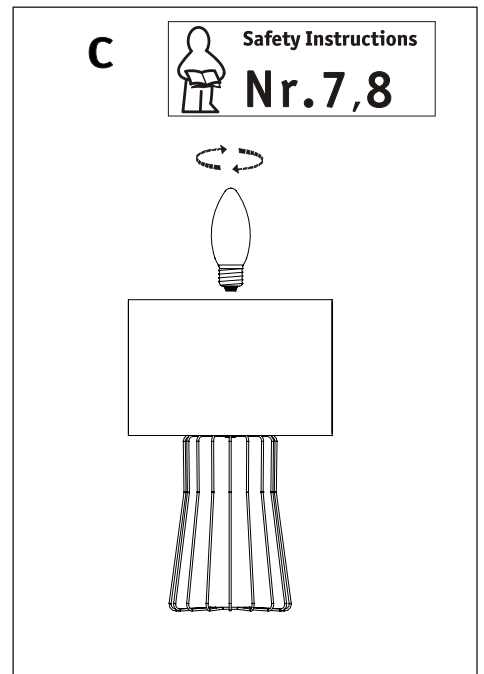
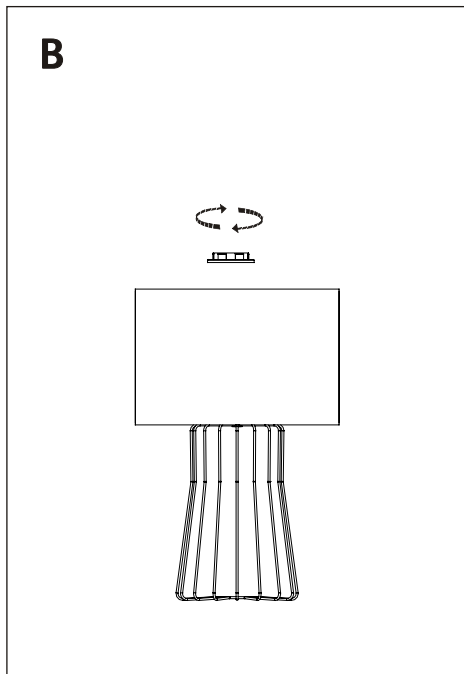
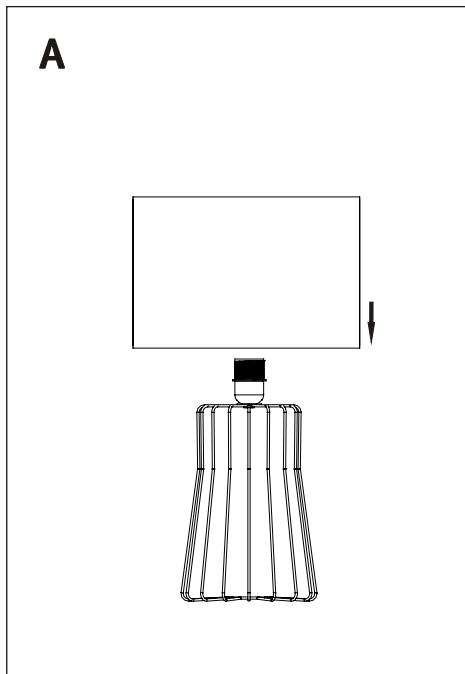
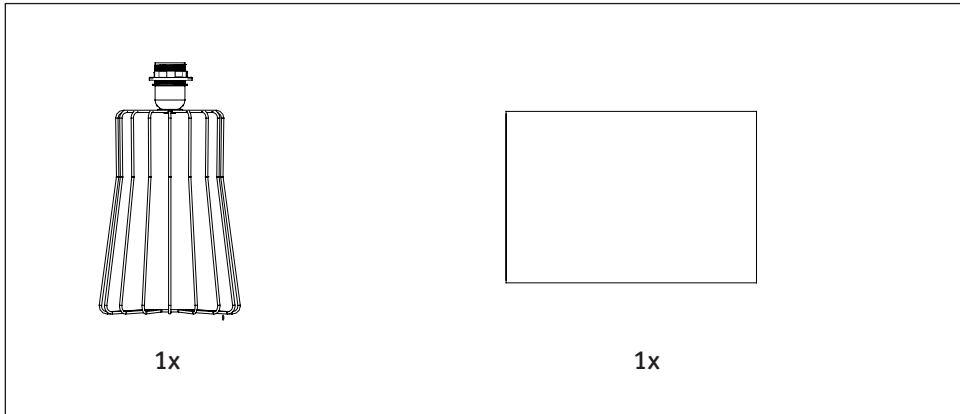


Paulmann Licht GmbH  
31832 Springe / Germany  
www.paulmann.com

Art.-Nr.:  
**701.83**

(+MA 173)

PCI 05/10



**Art.No.**

11W	60mm	E27	883.13
60W	35mm	E27	443.60
60W	45mm	E27	118.60
60W	55mm	E27	418.60