



# Safety Instructions



0, 1, 6, 8, 11, 12, 15,  
22, 23, 25, 28



Info Hotline **+49 (0) 5041 998 389**  
Mon. - Do. 7<sup>00</sup>-20<sup>00</sup>  
Fr. 7<sup>00</sup> -17<sup>00</sup>

Paulmann Licht GmbH  
31832 Springe /Germany  
www.paulmann.com

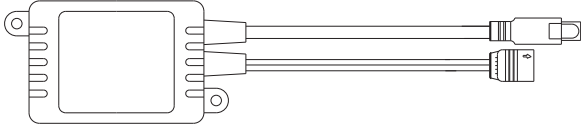
Art.-Nr.:  
**704.61**

(+MA 173)

PPN 04/14

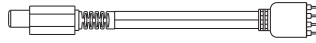
70461

Only for YourLED and YourLED ECO

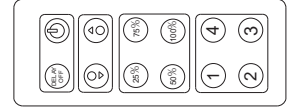


1X

YourLED/YourLED ECO ✓  
YourLED RGB ✗



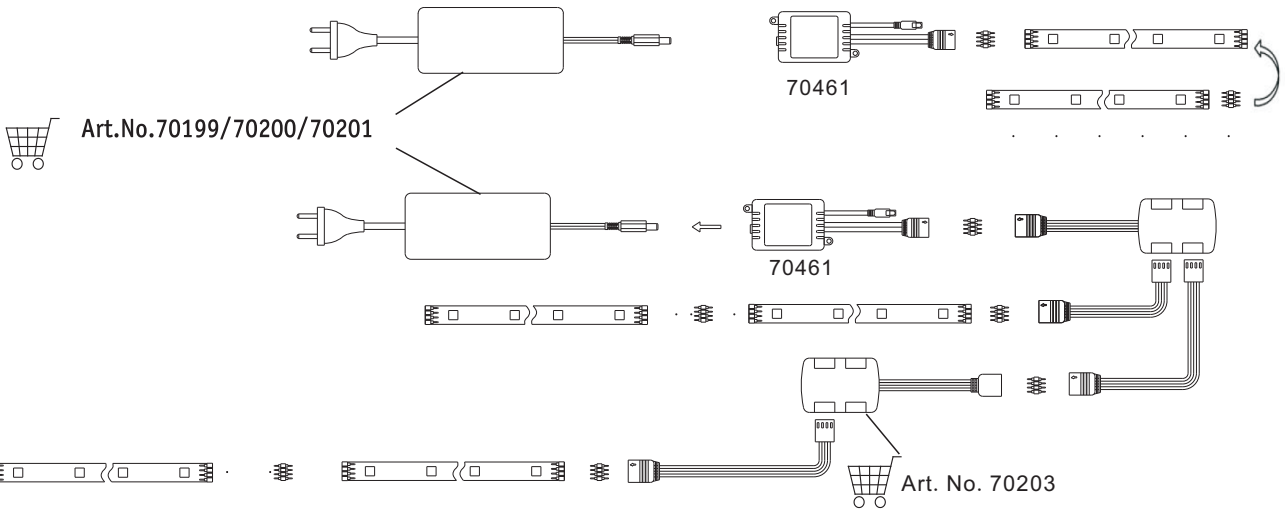
1X



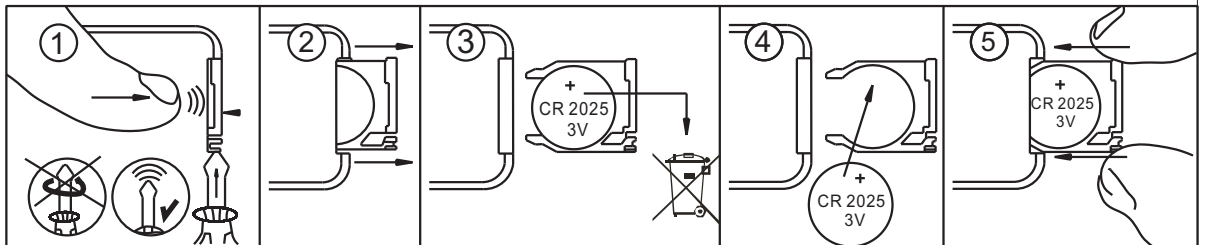
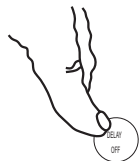
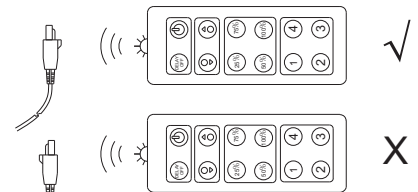
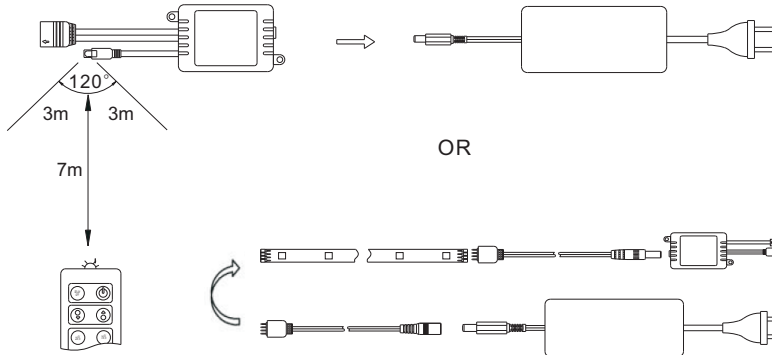
1X

A

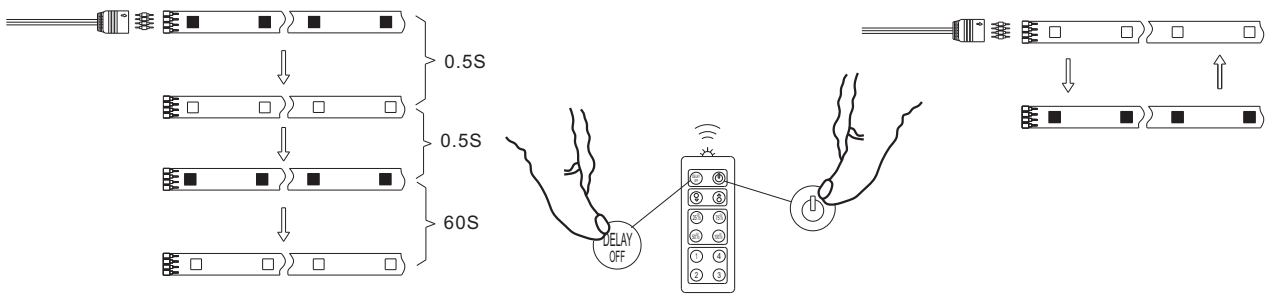
YourLED/YourLED ECO ✓  
YourLED RGB ✗



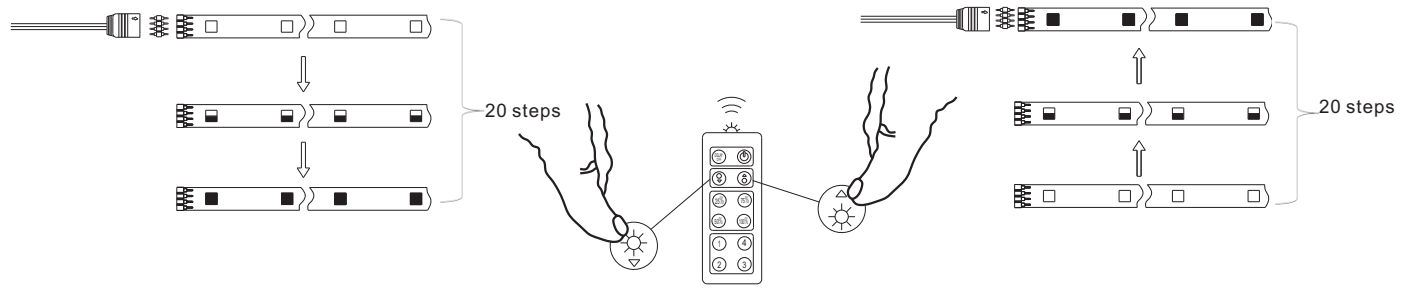
B



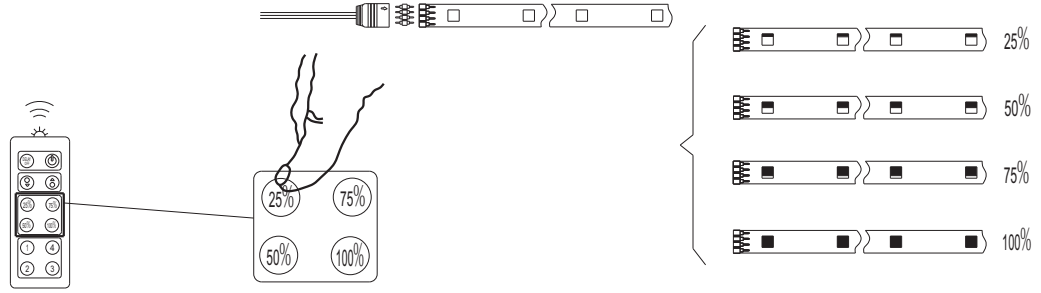
C



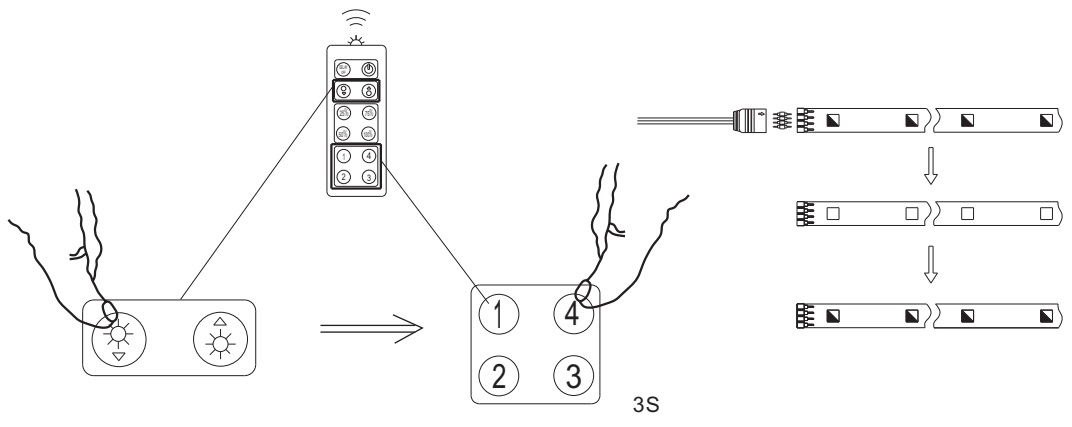
D



E



F1



F2

