



Safety Instructions



0, 1, 2, 3, 5a, 6, 7, 8, 9, 11,
13, 14, 15, 18, 20, 22, 23, 24



Info Hotline **+49 (0) 5041 998 389**
Mon. - Do. 7⁰⁰ - 20⁰⁰
Fr. 7⁰⁰ - 17⁰⁰

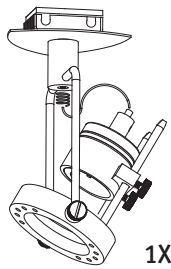


Paulmann Licht GmbH
31832 Springe / Germany
www.paulmann.com

Art.-Nr.:
7068

(+MA 173)

PEA 09/09

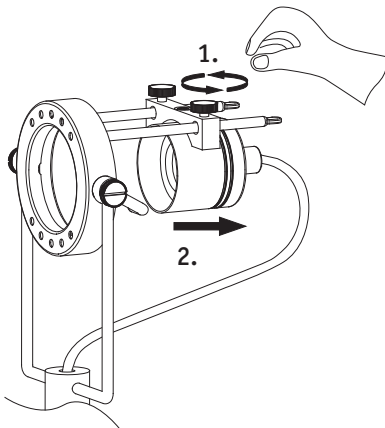


1X



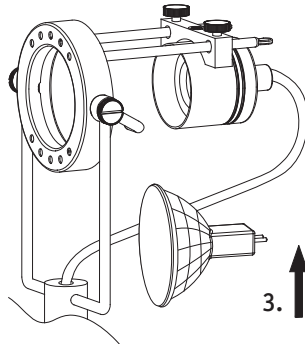
1X

A

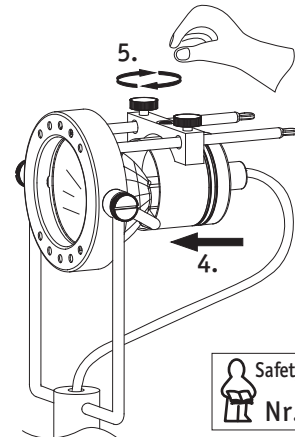


1.

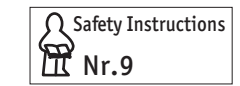
2.



3.

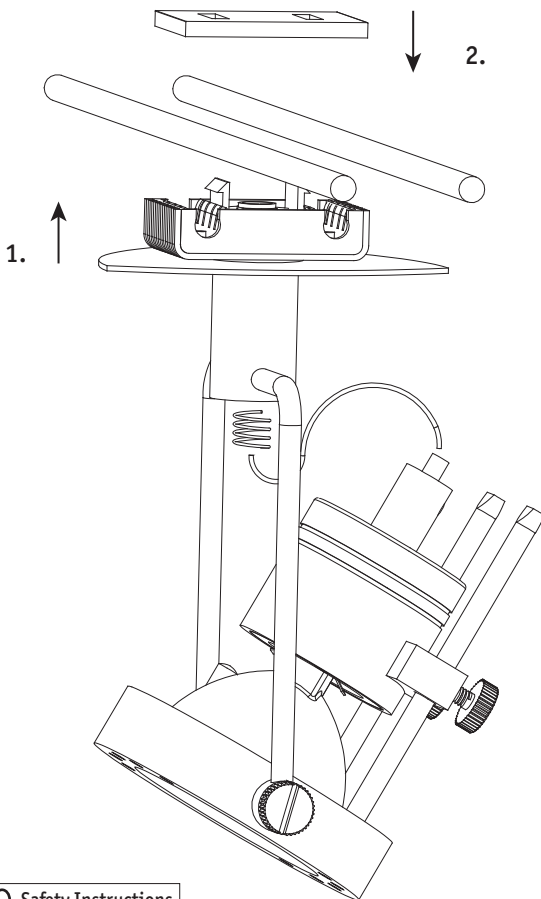


5.



Safety Instructions
Nr.9

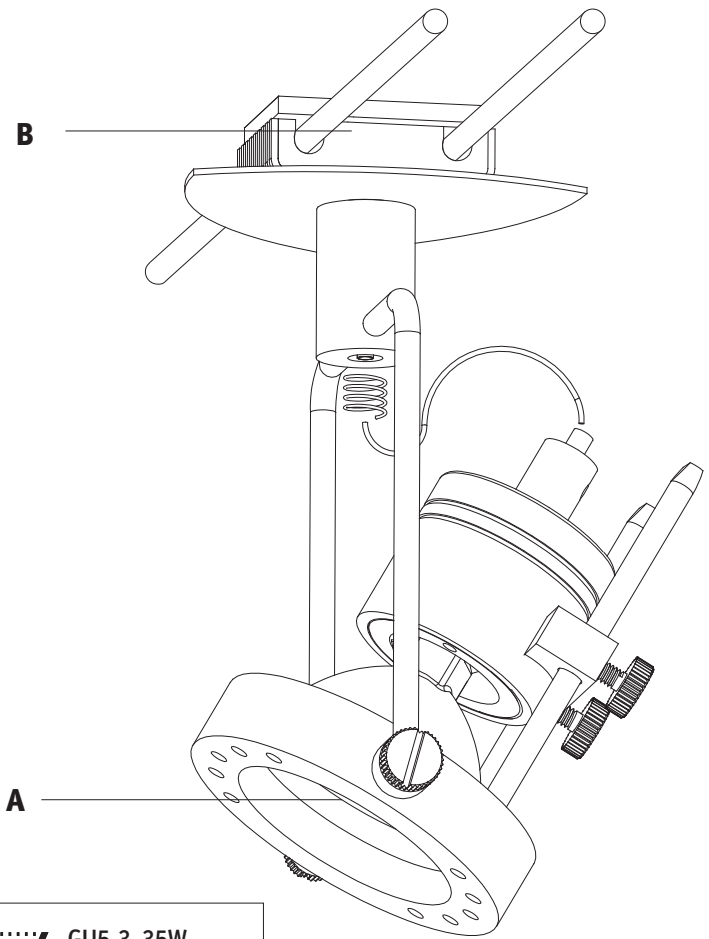
B



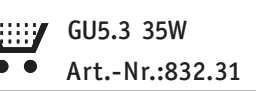
1.

2.

C

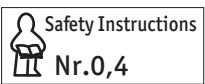


A



GU5.3 35W

Art.-Nr.:832.31



Safety Instructions
Nr.0,4

