



# Safety Instructions



0,1,2,4,6,8,11,15,  
22,26,27,28



Info Hotline

+49 (0) 5041 998 389

Mon. - Do. 7<sup>00</sup> - 20<sup>00</sup>

Fr. 7<sup>00</sup> - 17<sup>00</sup>

Paulmann Licht GmbH  
31832 Springe / Germany  
www.paulmann.com

Art.-Nr.:

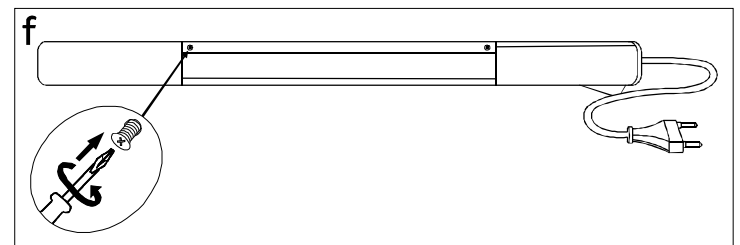
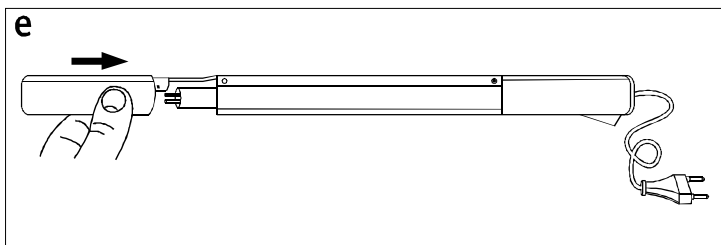
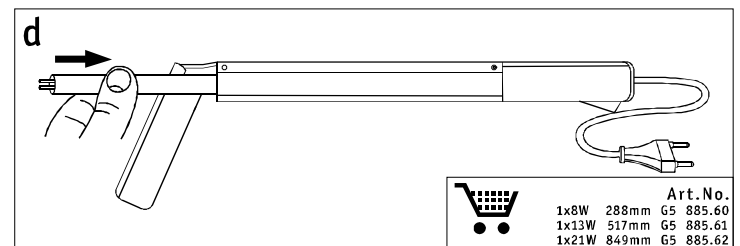
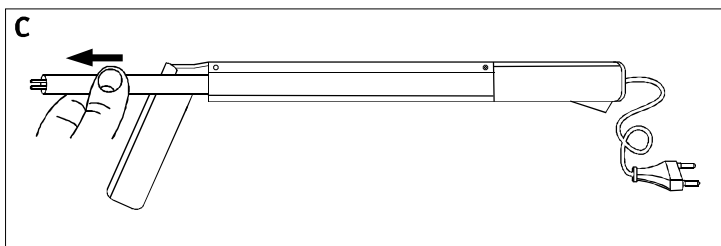
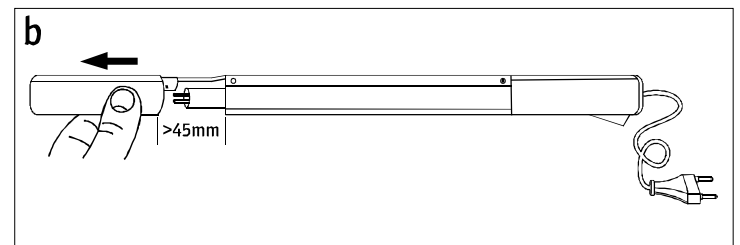
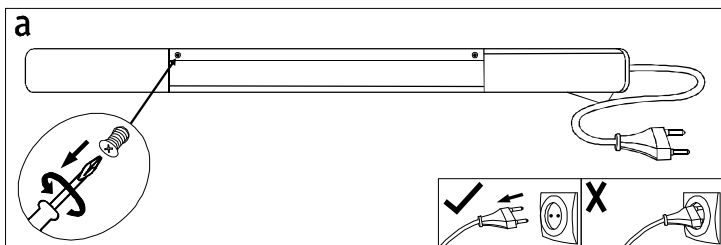
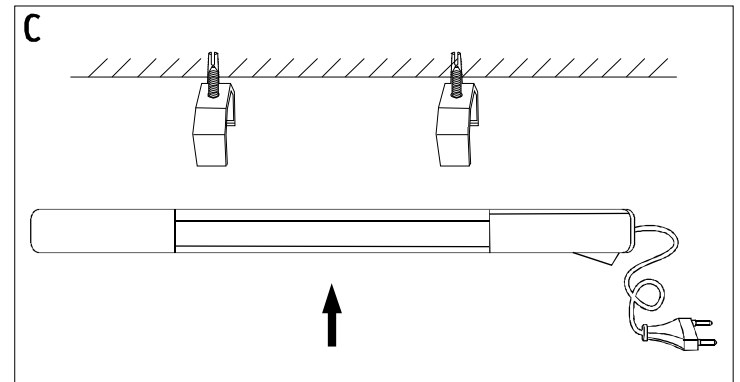
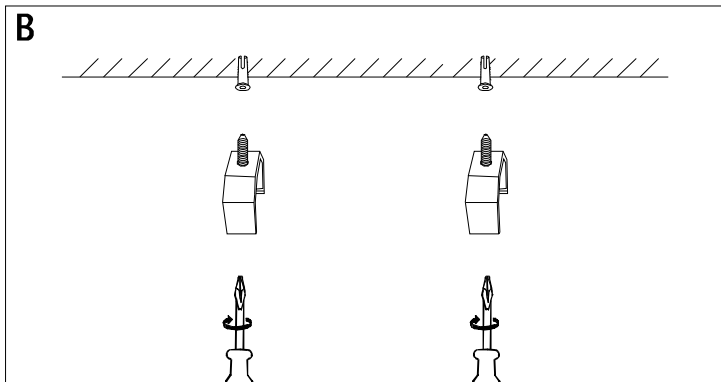
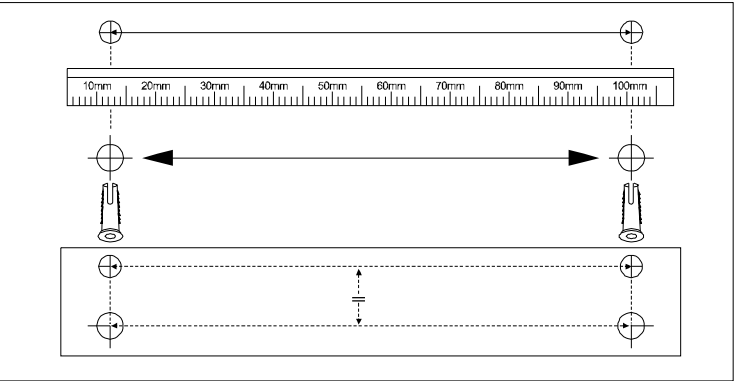
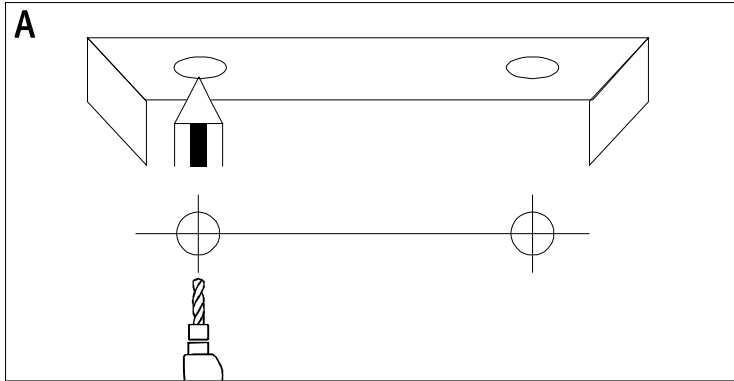
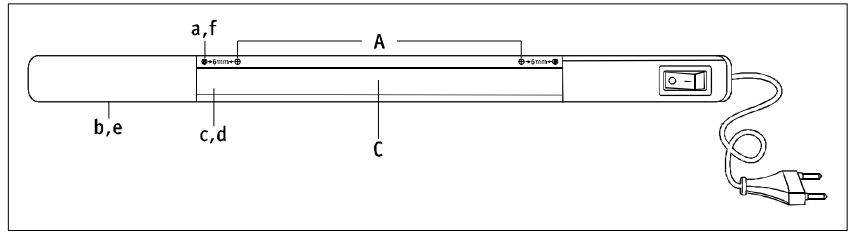
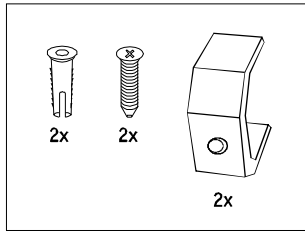
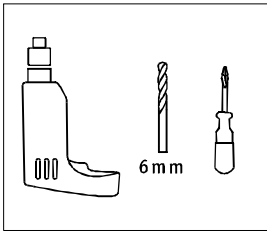
750.11

750.12

750.21

(+MA 173)

PPH 06/09



		Art.No.	
1x8W	288mm	G5	885.60
1x13W	517mm	G5	885.61
1x21W	849mm	G5	885.62