



Safety Instructions



0,1,2,4,6,8,11,15,
22,26,27,28



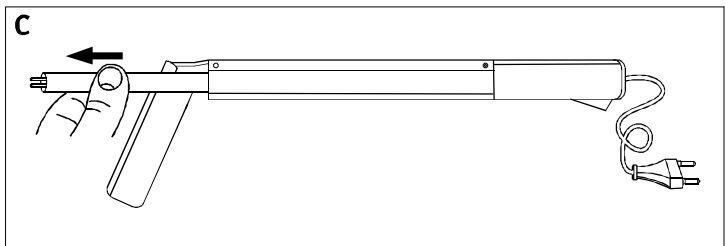
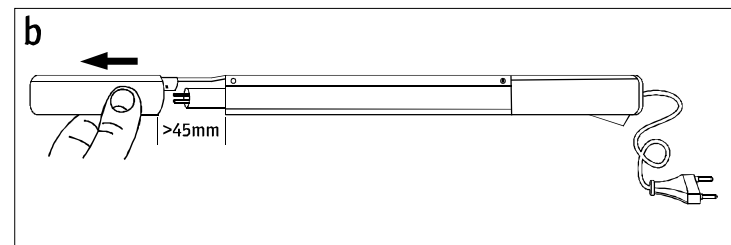
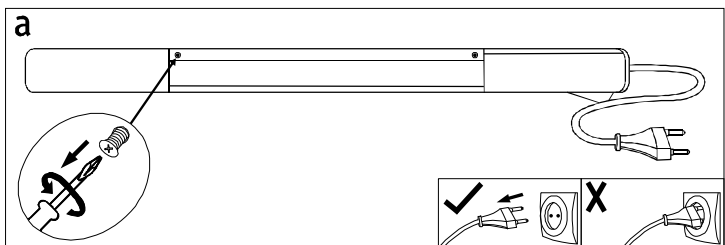
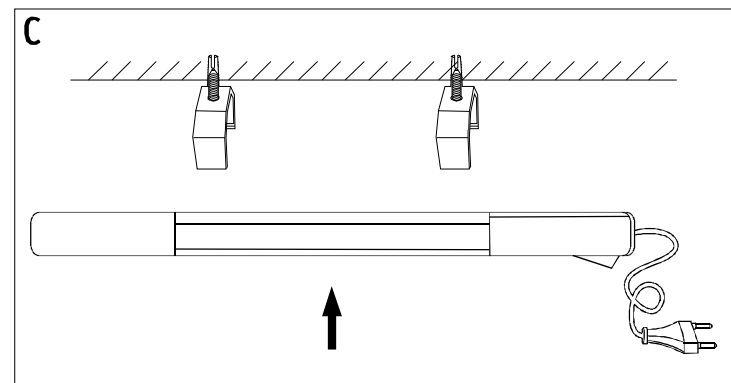
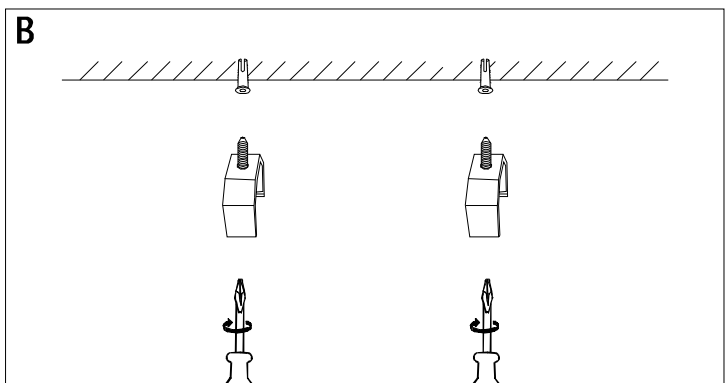
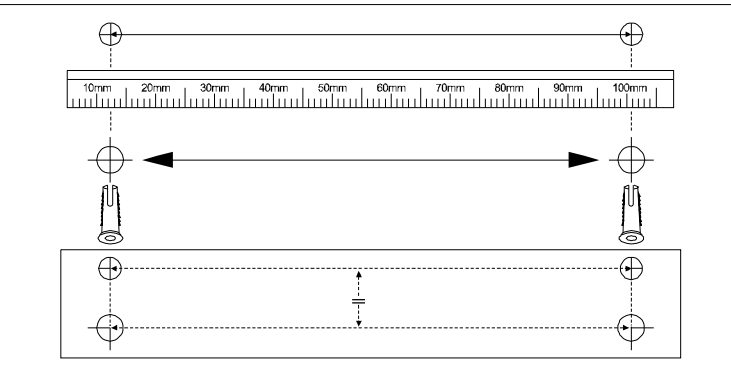
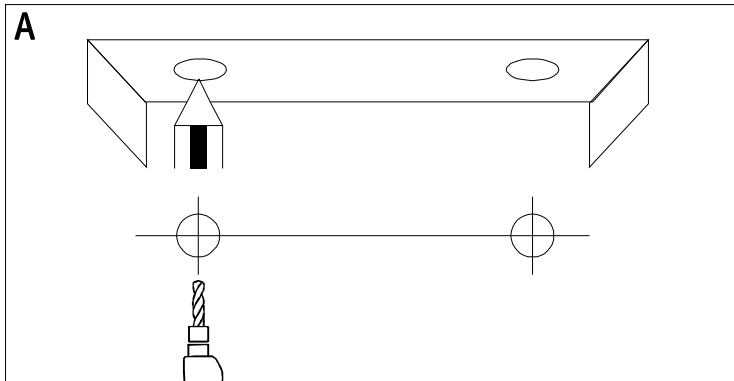
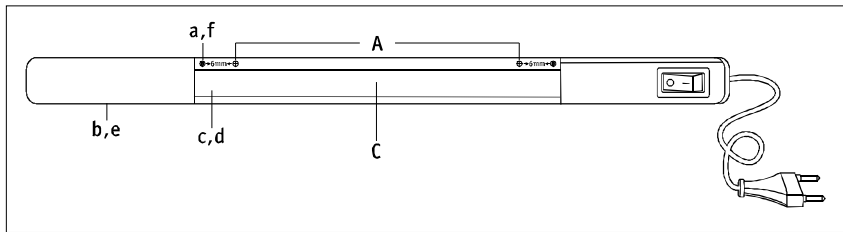
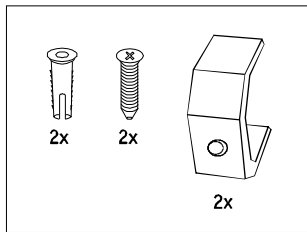
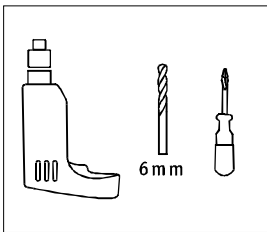
Info Hotline **+49 (0) 5041 998 389**

Mon. - Do. 7⁰⁰ - 20⁰⁰
Fr. 7⁰⁰ - 17⁰⁰

Paulmann Licht GmbH
31832 Springe / Germany
www.paulmann.com

Art.-Nr.:
750.11
750.12
750.21

(+MA 173)
PPH 06/09



		Art.No.
1x8W	288mm	G5 885.60
1x13W	517mm	G5 885.61
1x21W	849mm	G5 885.62

