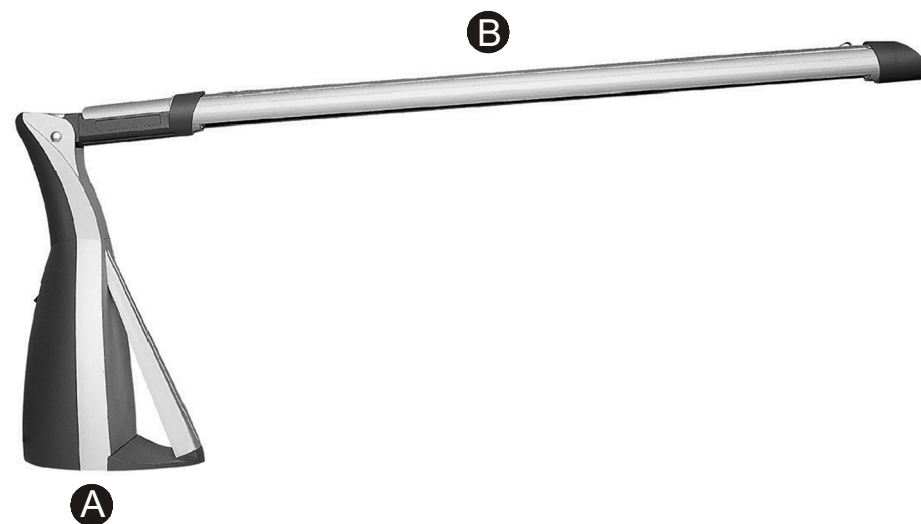


SAFETY INSTRUCTIONS

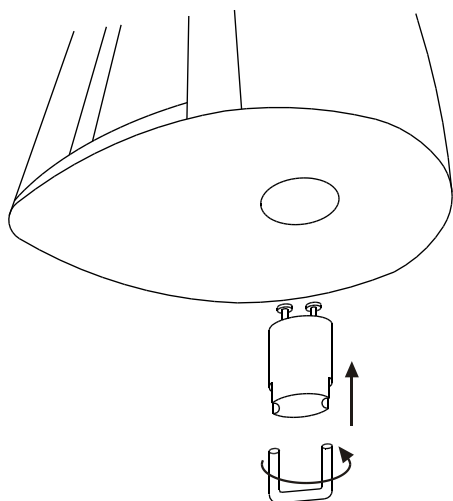


7,8,11,15

PAULMANN LICHT GmbH
Quezinger Feld 2 • D-31832 Springe
www.Paulmann.de



A



B

