

Safety Instructions



0, 1, 2, 4, 5a, 6, 7, 8, 9,
11, 15, 20, 22, 27...

Info Hotline 

+49 (0) 5041 998 389

Mon.-Do. 7⁰⁰ - 20⁰⁰

Fr. 7⁰⁰ - 17⁰⁰

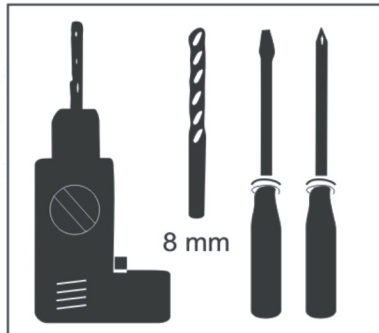
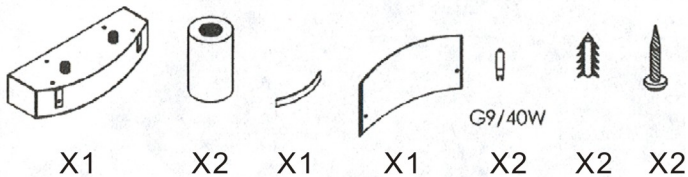


Paulmann Licht GmbH
31832 Springe / Germany
www.paulmann.com


Art.-Nr.:
79212

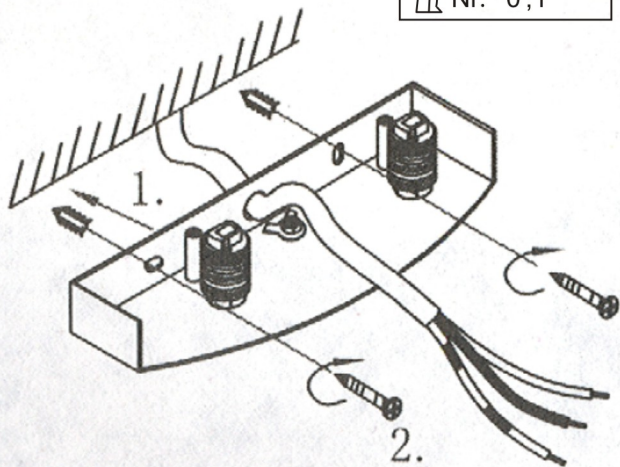
(+MA 173)

PWA 09/09

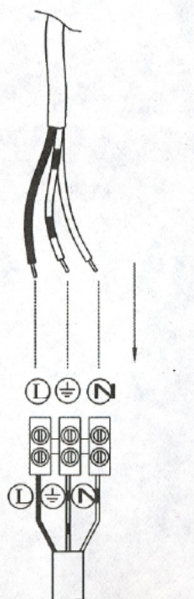


A

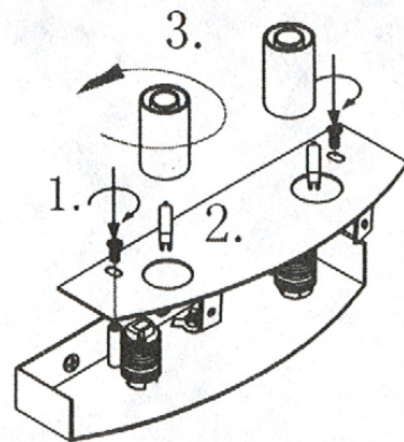
 Safety Instructions
Nr. 0, 1



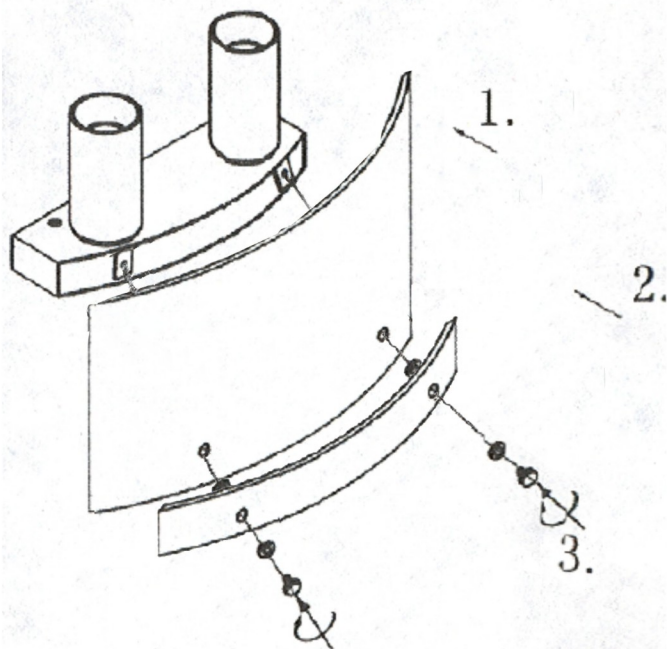
B



C



D



E

