


Safety Instructions



0, 1, 2, 3, 4, 6, 7, 8, 11,
15, 22, 28



Info Hotline 

+49 (0) 5041 998 389

Mon.-Do. 7⁰⁰ - 20⁰⁰

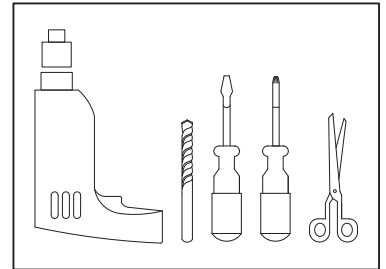
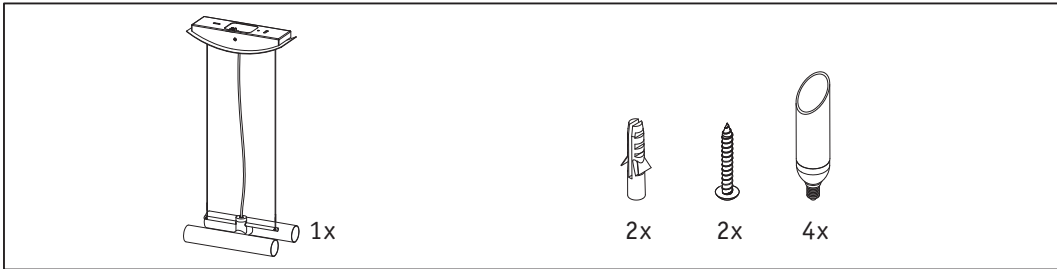
Fr. 7⁰⁰ - 17⁰⁰


Paulmann Licht GmbH
31832 Springe / Germany
www.paulmann.com

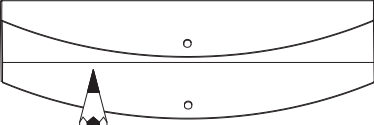
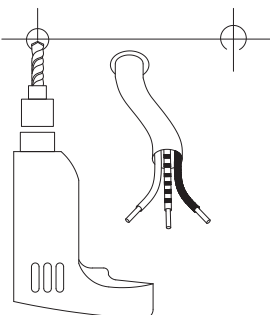
Art.-Nr.:
79229

(+MA 173)

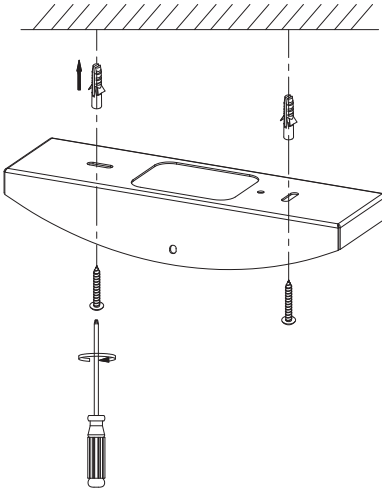
PYL 07/09



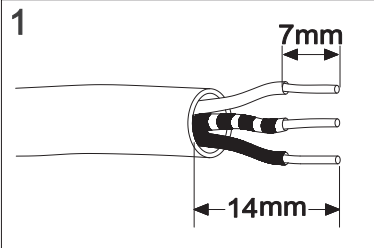
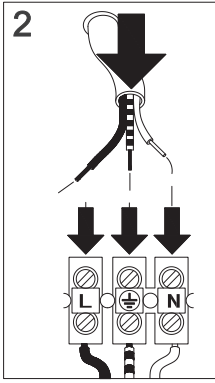
A  **Safety Instructions**
Nr. 0, 2


- 
- 

B

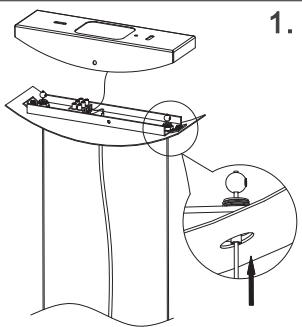
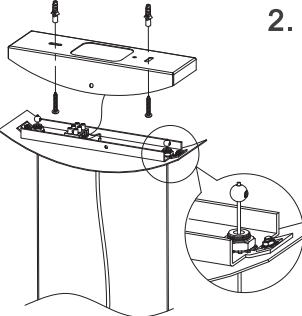



C

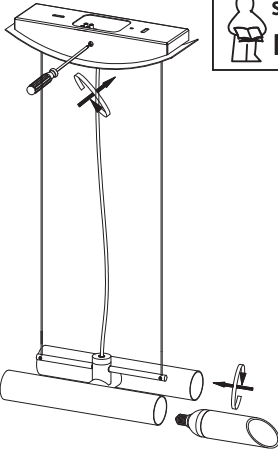
- 
- 

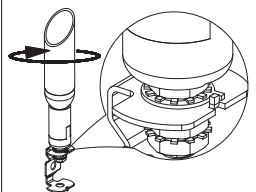
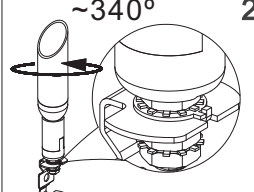
 **Safety Instructions**
Nr. 3, 4

D

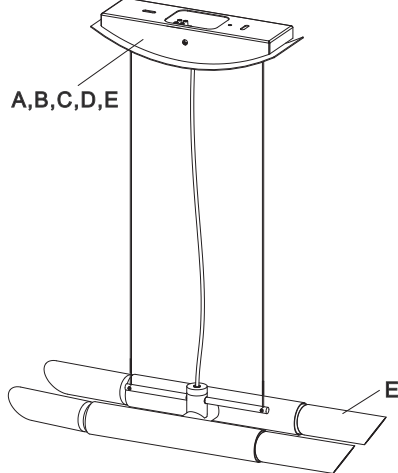
- 
- 


E  **Safety Instructions**
Nr. 7, 8



- 
- 

A, B, C, D, E





Art. No.
9W Ø38mm E14 894.19