

## Safety Instructions



0, 1, 4, 6, 7, 8, 9, 11, 15,  
22, 28

Info Hotline 

**+49 (0) 5041 998 389**

Mon.-Do. 7<sup>00</sup> - 20<sup>00</sup>

Fr. 7<sup>00</sup> - 17<sup>00</sup>

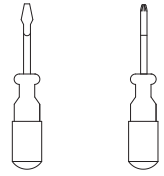
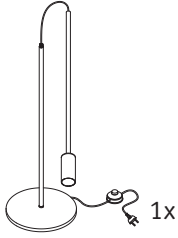


Paulmann Licht GmbH  
31832 Springe / Germany  
www.paulmann.com

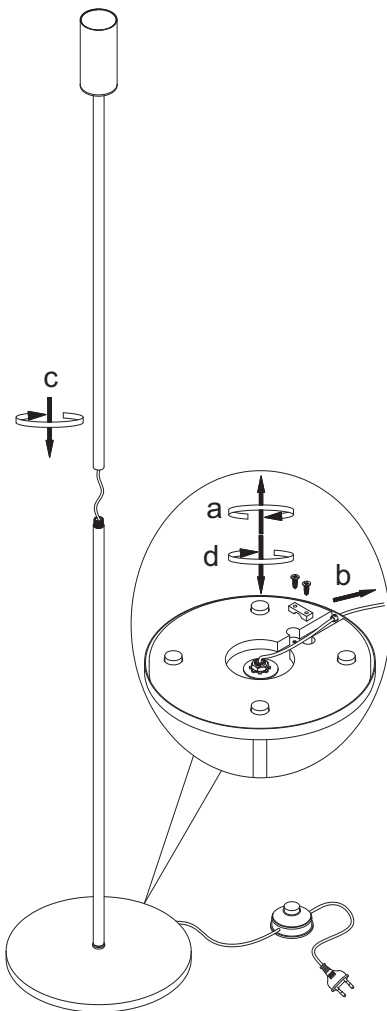
Art.-Nr.:  
**79233**

(+MA 173)


PYL07/09

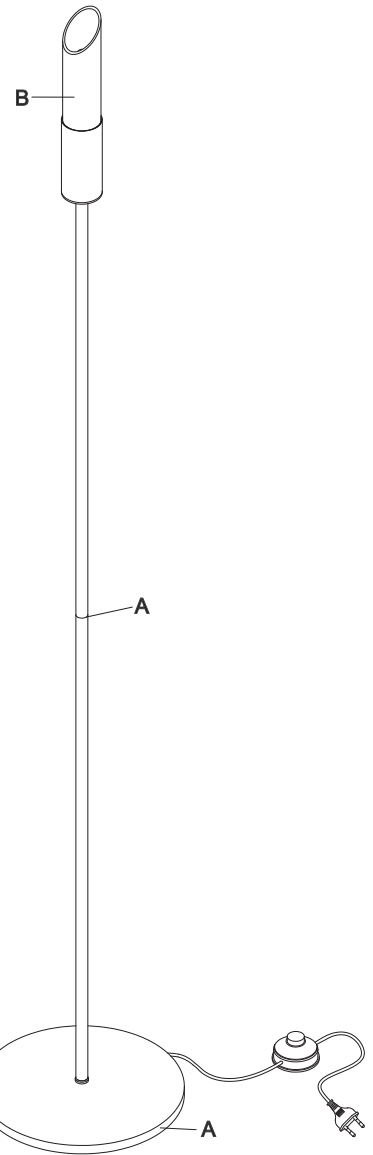
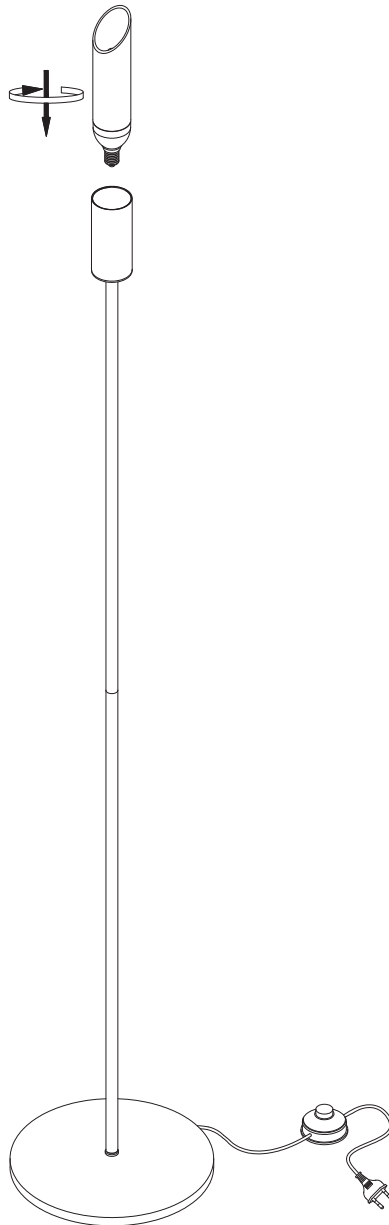


**A**



**B**

Safety Instructions  
 **Nr. 7, 8**



Art. No.  
**9W Ø38mm E14 894.19**