

Art. Nr.79283/79287
(+MA 173)

Paulmann

SAFETY INSTRUCTIONS



SAFETY INSTRUCTIONS



0, 1, 2, 7, 8, 11, 15, 22, 28



INFO-LINE

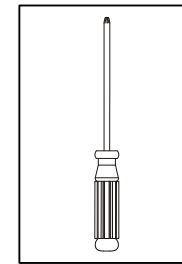
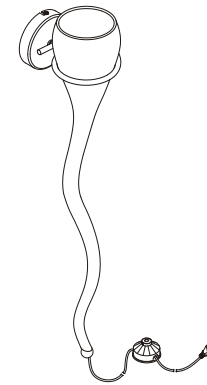
PAULMANN LICHT GmbH
Quezinger Feld 2 • D-31832 Springe
www.Paulmann.com

+49 (0) 5041 998 389

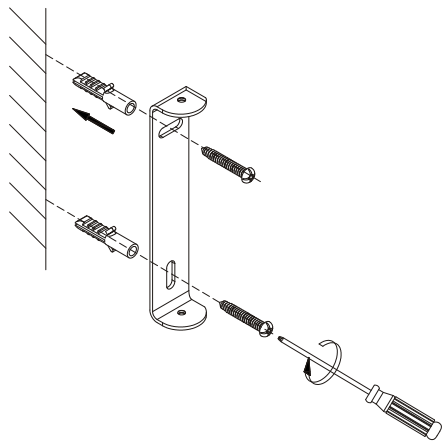
7⁰⁰ - 20⁰⁰

Mon. - Fri.

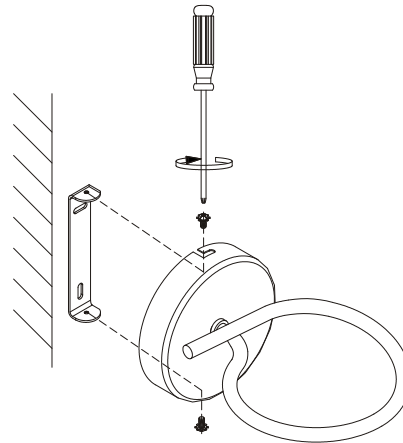
1x75W



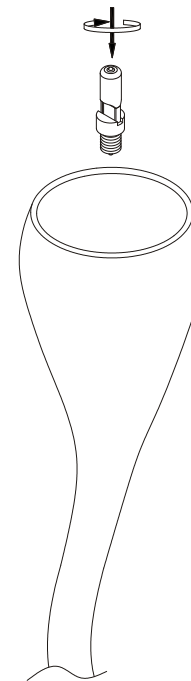
A



B



C



D

