

SAFETY INSTRUCTIONS



## SAFETY INSTRUCTIONS



5,6,7,8,11,15,22,26,27,28

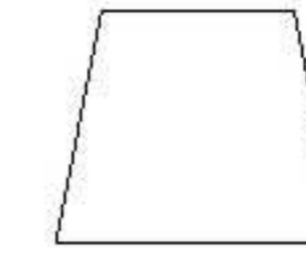
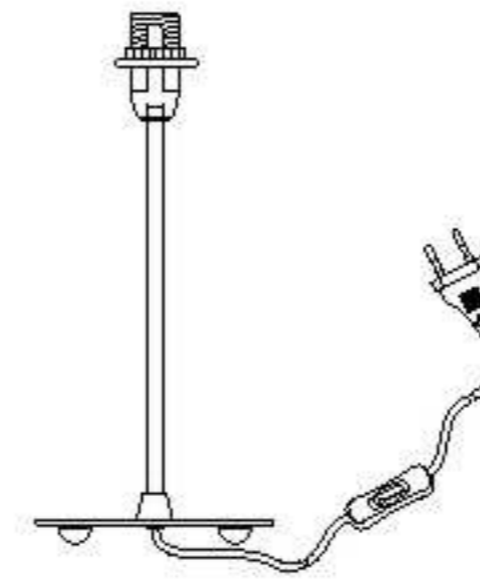


**PAULMANN LICHT GmbH**  
Quezinger Feld 2 • D-31832 Springe  
[www.Paulmann.com](http://www.Paulmann.com)

☎ +49 (0) 5041 998 389

🕒 7<sup>00</sup> - 20<sup>00</sup> 🕒

Mon. - Fri.



40W X1

