
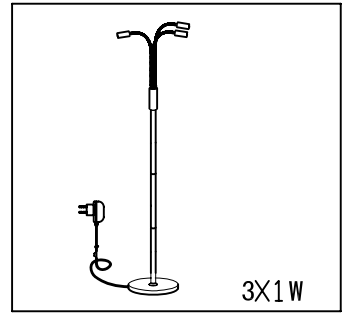


SAFETY INSTRUCTIONS



0, 6, 11, 13, 15, 22, 28

PAULMANN LICHT GmbH
Quezing Feld 2 · D-31832 Springe
www.paulmann.com
☎ +49(0)5041 998 389
🕒 7^h-20^h
📅 Mon.-Fri.



A

