

Art. Nr:794.20
(+MA 173)

Paulmann

SAFETY INSTRUCTIONS



SAFETY INSTRUCTIONS



0, 1, 2, 3, 4, 6, 7, 8, 9, 11, 15, 22, 26, 27



PAULMANN LICHT GmbH
Quezinger Feld 2 • D-31832 Springe
www.Paulmann.com

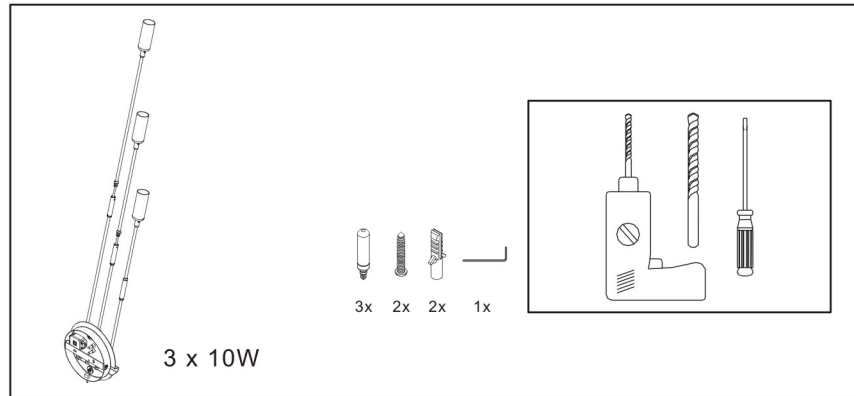
+49 (0) 5041 998 389

7⁰⁰ - 20⁰⁰

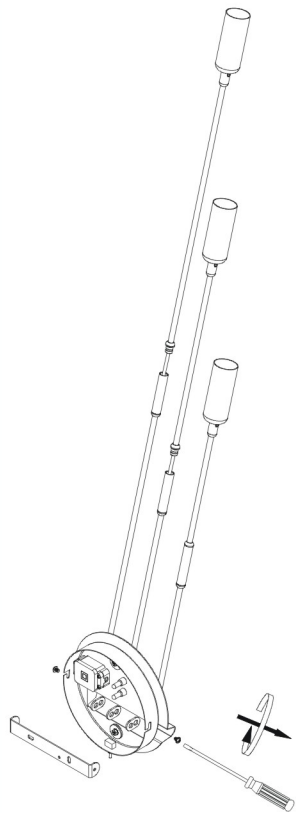
Mo. -Do.

7⁰⁰ - 17⁰⁰

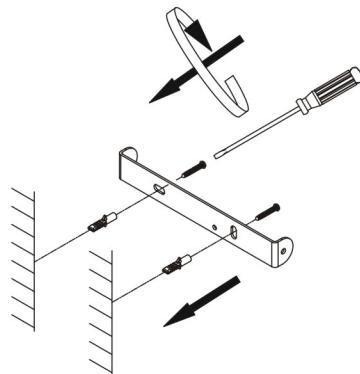
Fr.



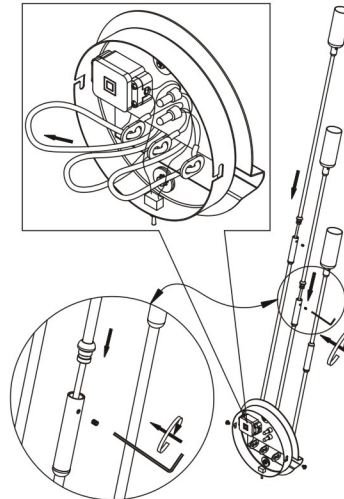
A



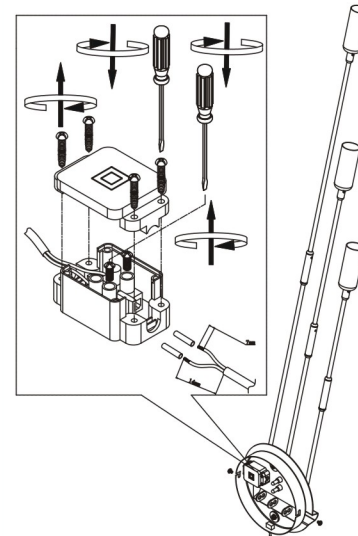
B



C



D



E

