

Art. Nr:794.24  
(+MA 173)

# Paulmann

SAFETY INSTRUCTIONS



### SAFETY INSTRUCTIONS



0, 1, 2, 3, 4, 6, 7, 8, 9, 11, 15, 22, 23, 26, 27



**PAULMANN LICHT GmbH**  
Quezinger Feld 2 • D-31832 Springe  
[www.Paulmann.com](http://www.Paulmann.com)

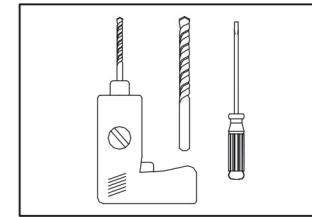
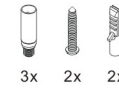
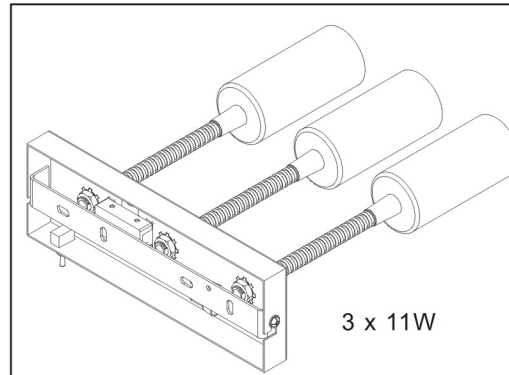
+49 (0) 5041 998 389

7<sup>00</sup> - 20<sup>00</sup>

7<sup>00</sup> - 17<sup>00</sup>

Mo. -Do.

Fr.



230V ESL E27 Max 11W

