


SAFETY INSTRUCTIONS

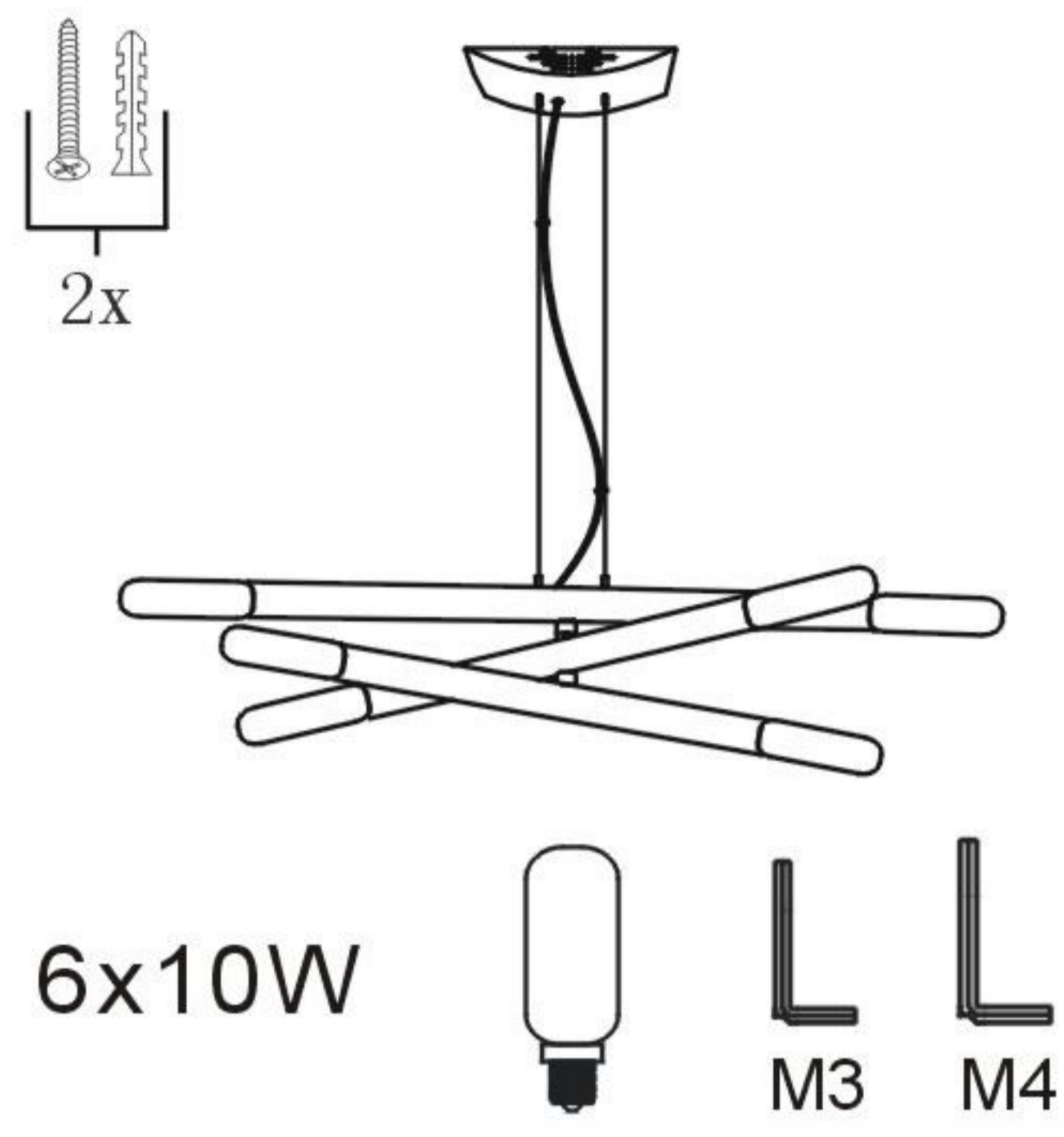


0, 1, 2, 4, 5b, 6, 7, 8, 9, 11, 13, 15, 20, 22.

PAULMANN LICHT GmbH
Quezinger Feld 2 • D-31832 Springe
www.paulmann.com

INFO-LINE +49 (0) 5041 998 389

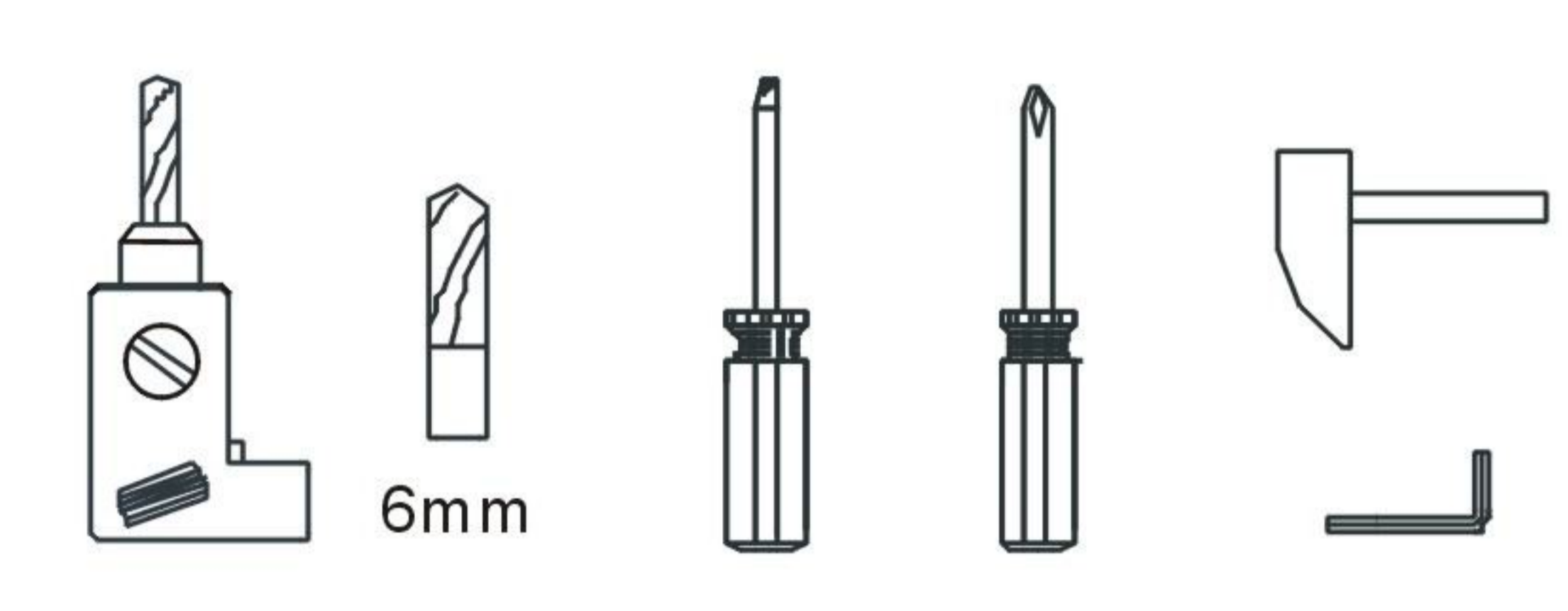
7⁰⁰-20⁰⁰ Mo. - Do. 7⁰⁰-17⁰⁰ Fr.



2x

6x10W

M3 M4



6mm

