



Safety Instructions

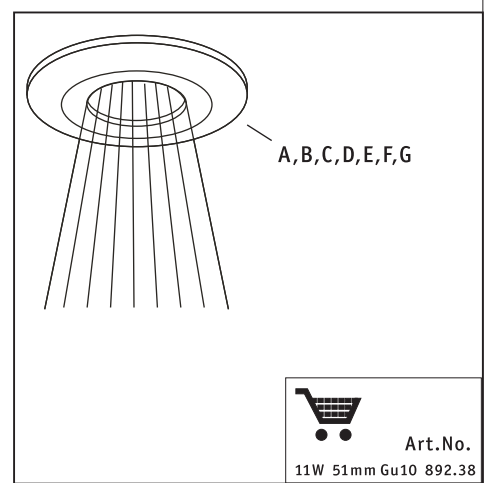
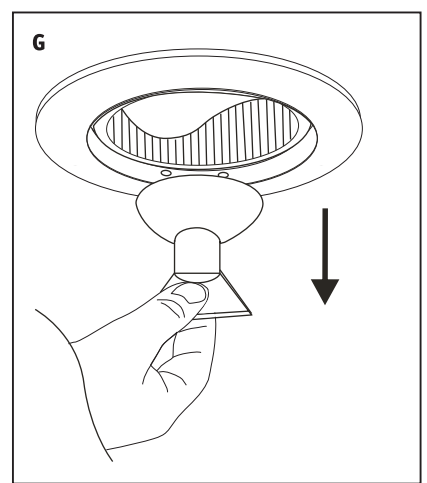
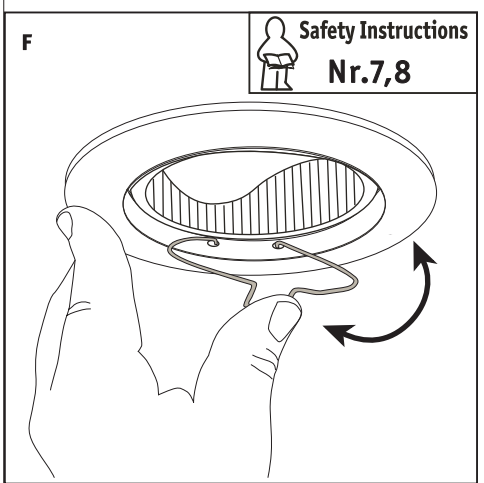
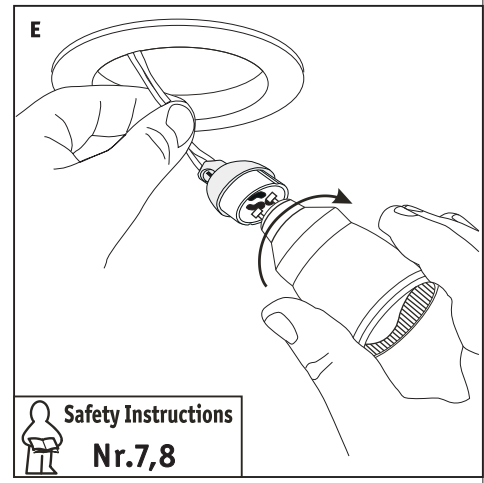
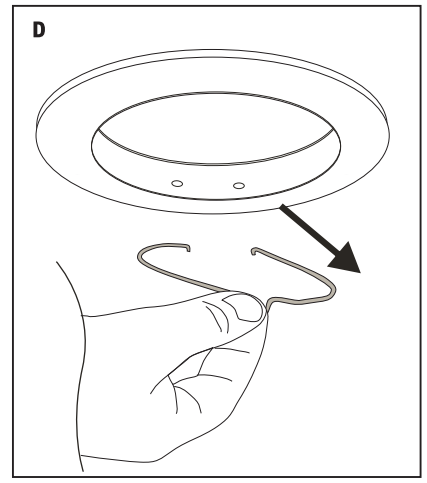
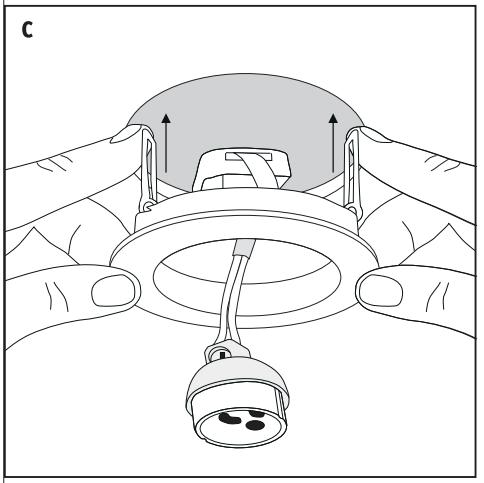
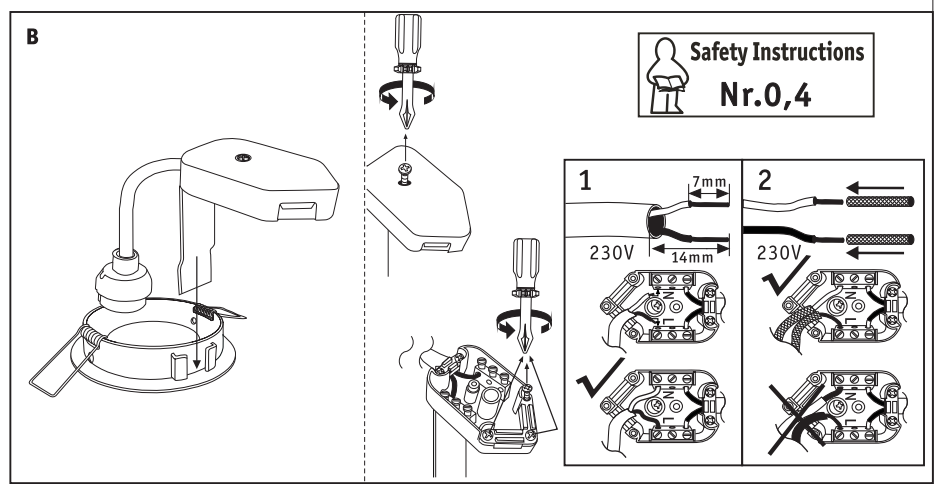
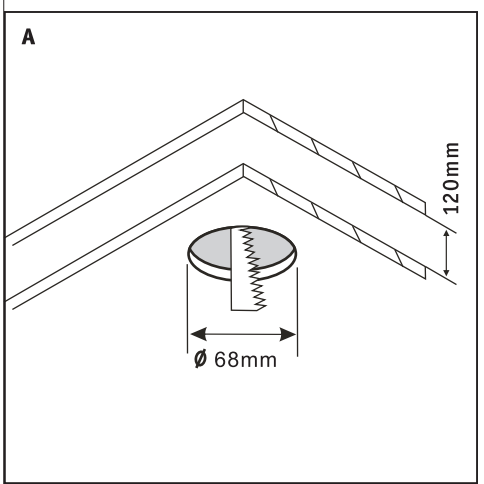
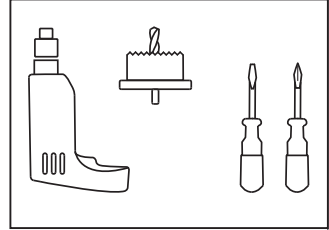
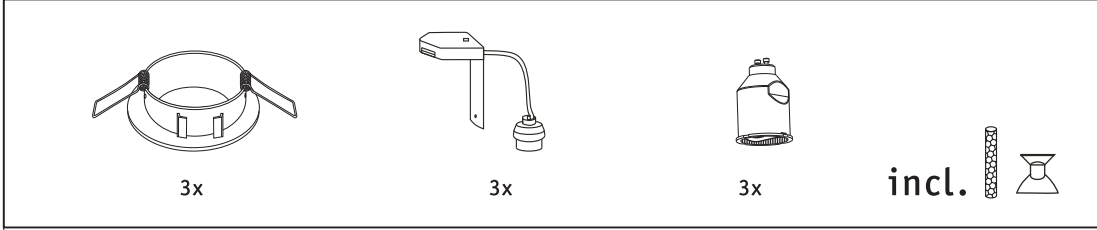


0, 1, 2, 4, 6, 7, 8, 9, 11,
15, 17, 18, 19, 22



+49 (0) 5041 998 389
Mon.-Do. 7⁰⁰ - 20⁰⁰
Fr. 7⁰⁰ - 17⁰⁰
Paulmann Licht GmbH
31832 Springe / Germany
www.paulmann.com

Art.-Nr.:
920.01
920.02
920.03
(+MA 173)
PBO 05/12



 Art.No.
11W 51mm Gu10 892.38