

# P Paulmann

## Safety Instructions



0,1,4,6,7,8,9,11,15,  
17,19,20,22,25,



Info Hotline

+49 (0) 5041 998 389

Mon. - Do. 7<sup>00</sup> - 20<sup>00</sup>

Fr. 7<sup>00</sup> - 17<sup>00</sup>



Paulmann Licht GmbH  
31832 Springe / Germany  
www.paulmann.com

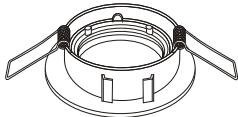
Art.-Nr.:

925.25

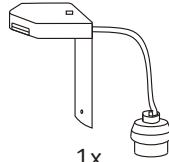
925.26

(+MA 173)

PBO 11/10



1x

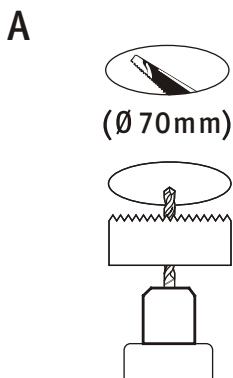
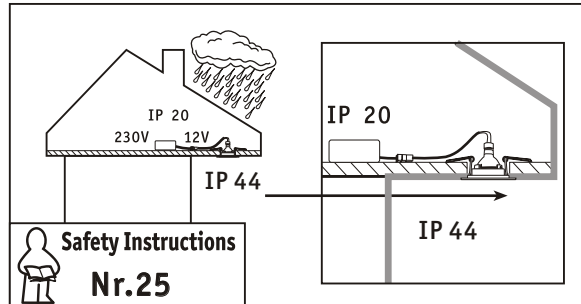
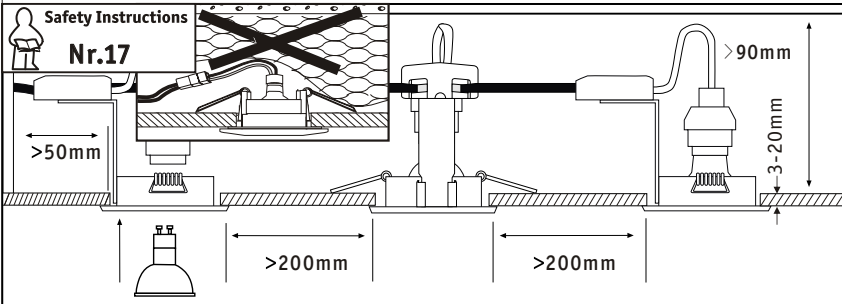
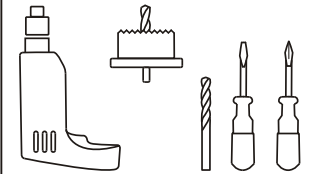


1x

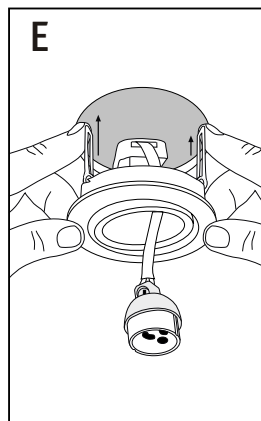
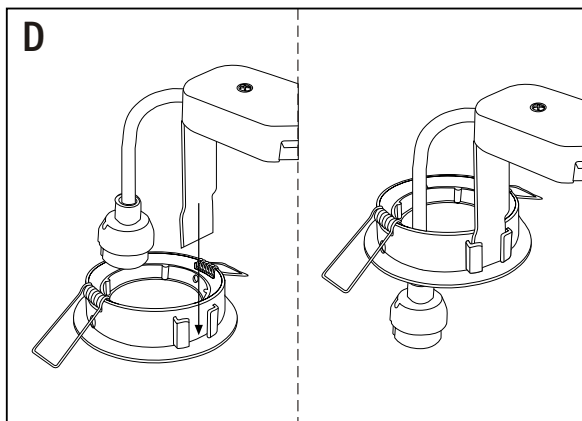
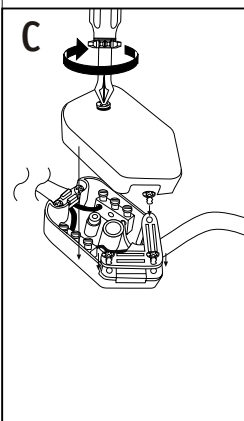
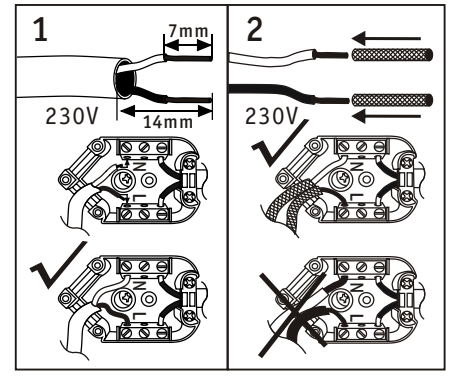
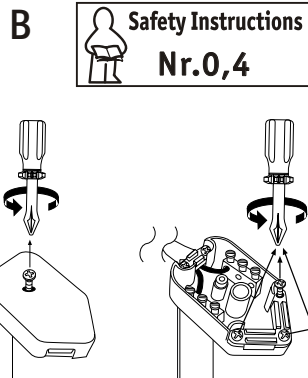


1x

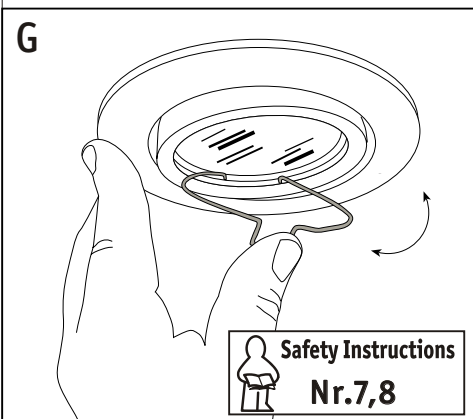
incl.



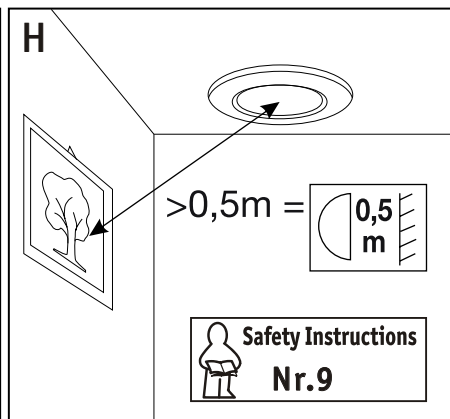
**Safety Instructions Nr.0,1**



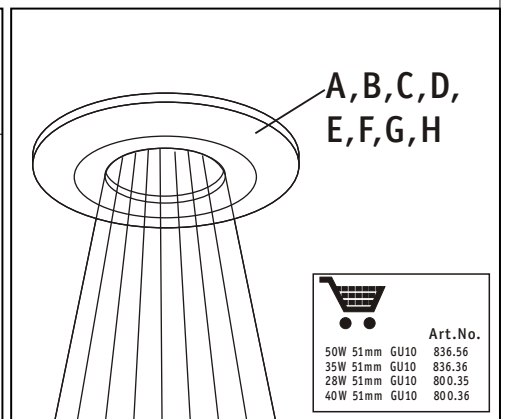
**Safety Instructions Nr.7,8**



**Safety Instructions Nr.7,8**



**Safety Instructions Nr.9**



Art.No.	
50W 51mm GU10	836.56
35W 51mm GU10	836.36
28W 51mm GU10	800.35
40W 51mm GU10	800.36