



# Safety Instructions



0,1,2,3,4,6,7,8,10,11,  
12,15,16,17,19,22,25



+49 (0) 5041 998 389

Mon. - Do. 7<sup>00</sup> - 20<sup>00</sup>

Fr. 7<sup>00</sup> - 17<sup>00</sup>

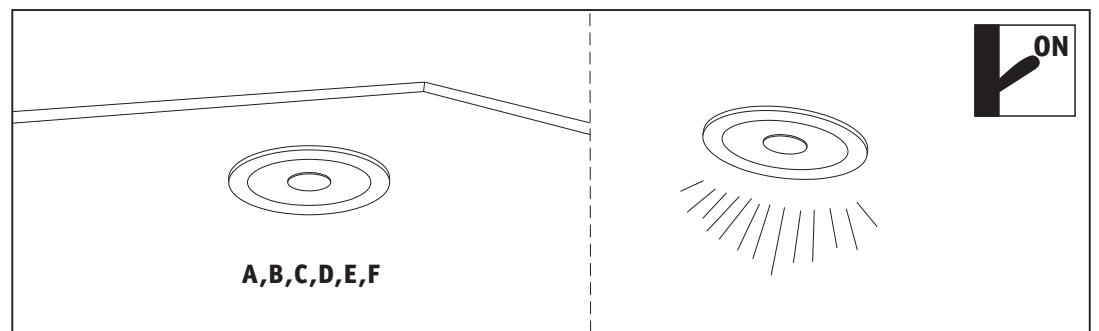
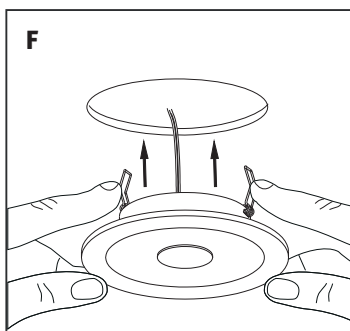
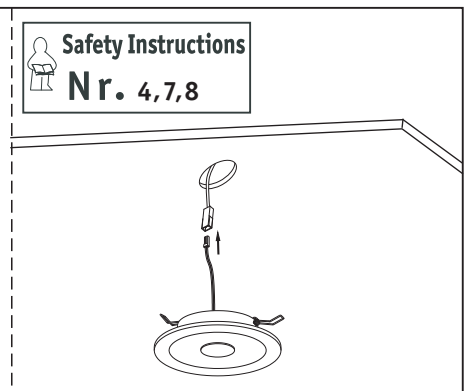
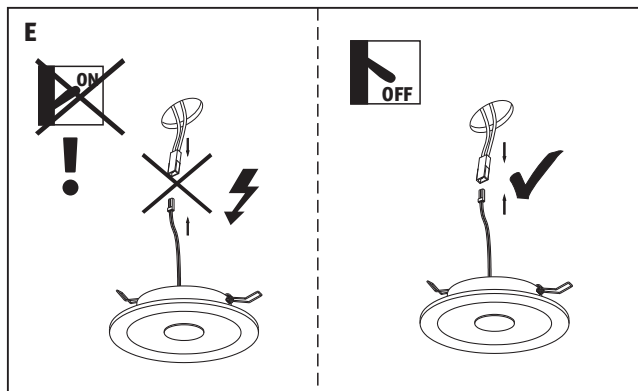
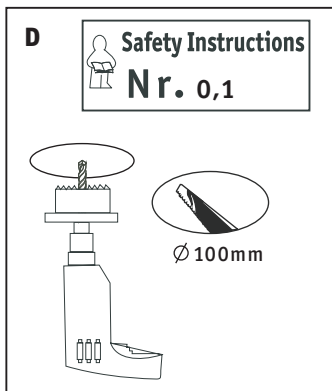
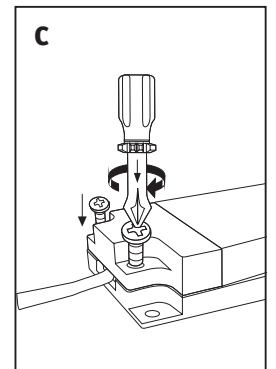
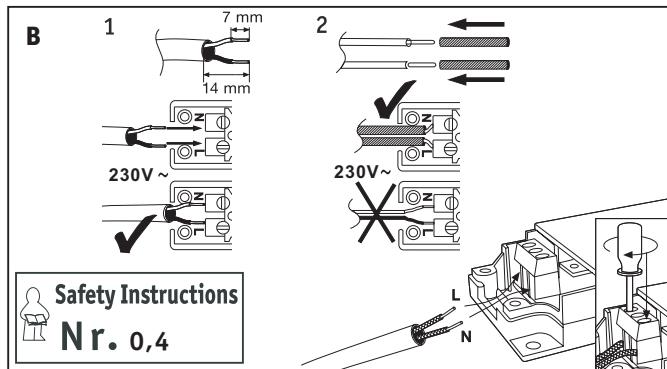
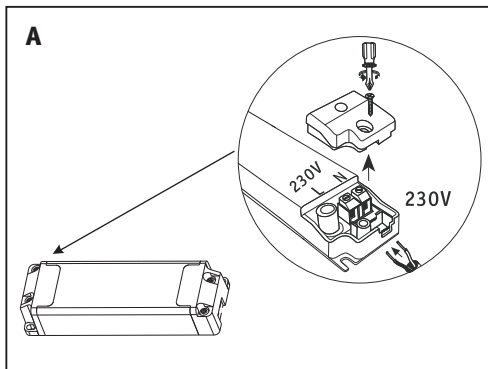
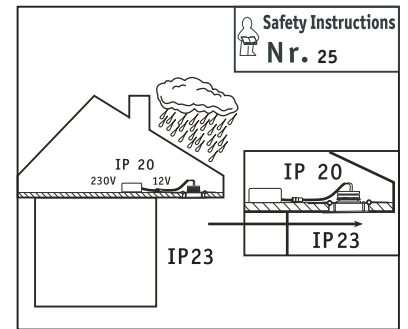
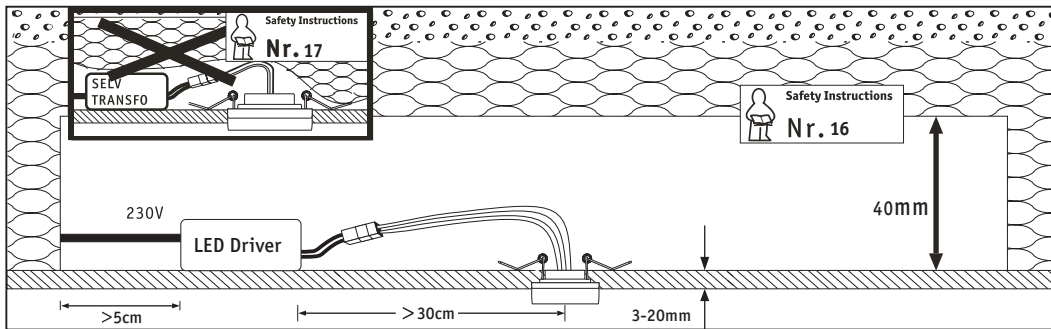
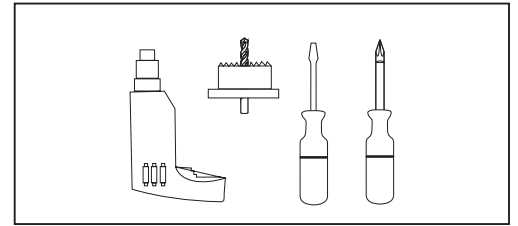
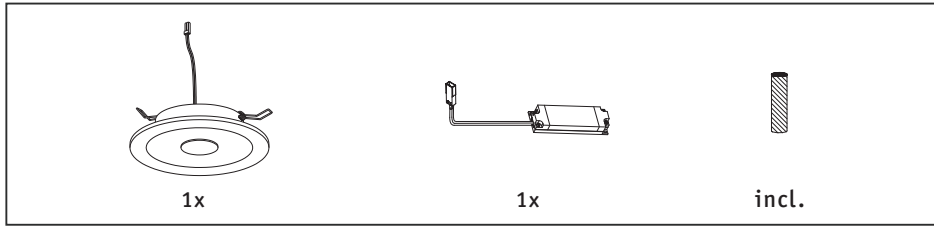


Paulmann Licht GmbH  
31832 Springe / Germany  
www.paulmann.com

Art.-Nr.:  
**925.35**

(+MA 173)

PSU 08/12



A,B,C,D,E,F