

## Safety Instructions



0, 1, 4, 6, 7, 8, 9, 11, 15,  
17, 19, 22, 25



Info Hotline **+49 (0) 5041 998 389**

Mon. - Do. 7<sup>00</sup> - 20<sup>00</sup>  
Fr. 7<sup>00</sup> - 17<sup>00</sup>

Paulmann Licht GmbH  
31832 Springe / Germany  
www.paulmann.com

Art.-Nr.:

**925.97**

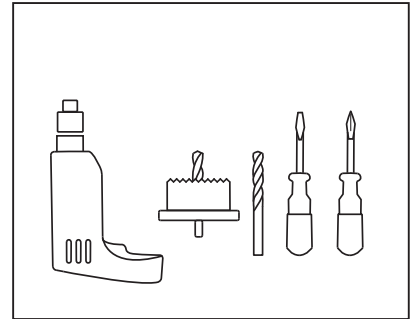
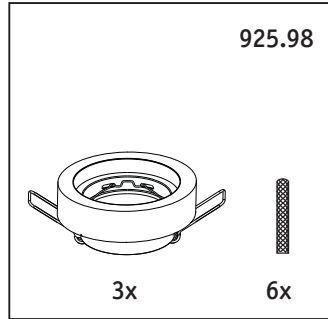
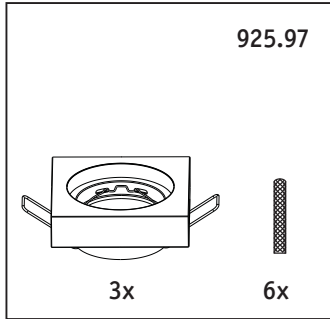
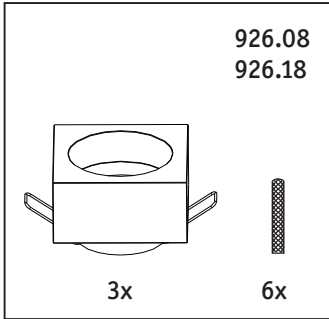
**925.98**

**926.08**

**926.18**

(+MA 173)

PKE 06/13



	[ mm ]	[ W ]	[ mm ]	[ m ]	[ mm ]	[ cm ]	[ mm ]	[ mm ]	[ mm ]	[ mm ]
926.08/926.18	80x80	35	51	0.5	68	>20	3-20	>60	>110	>120
925.97	80x80	35	51	0.5	68	>20	3-20	>60	>110	>120
925.98	80	35	51	0.5	68	>20	3-20	>60	>110	>120

