

## Safety Instructions



0,1,2,3,4,6,7,8,9,11,15,17  
,18,19,22

Info Hotline 

+49 (0) 5041 998 389

Mon. - Do. 7<sup>00</sup> - 20<sup>00</sup>

Fr. 7<sup>00</sup> - 17<sup>00</sup>



Paulmann Licht GmbH  
31832 Springe / Germany  
www.paulmann.com

Art.-Nr.:  
930.00  
930.01  
930.02  
930.03  
986.31  
986.32  
986.37  
986.38  
(+MA 173)  
PCL 05/09

930.00/930.01/930.02/930.03

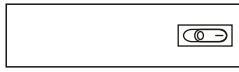


x1

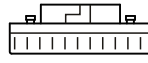


x2

986.31/986.32/986.37/986.38



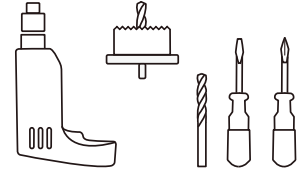
x3



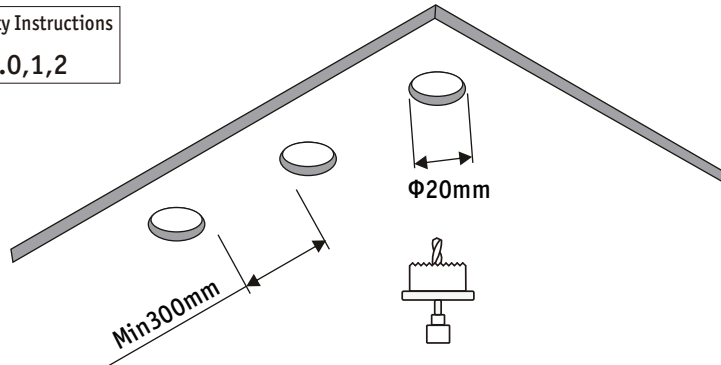
x3



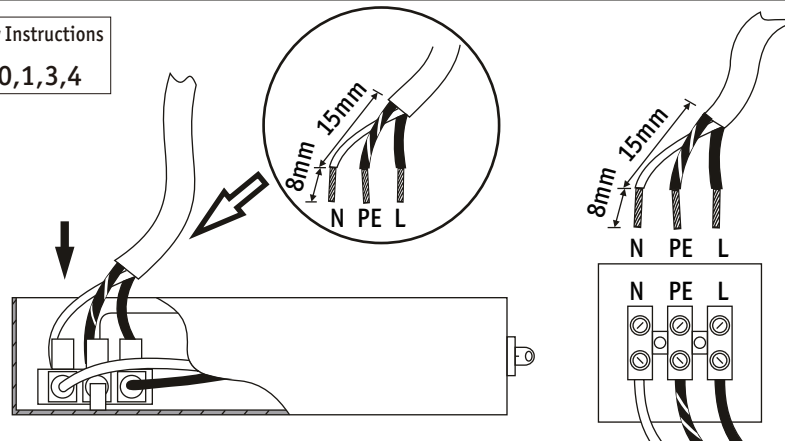
x6



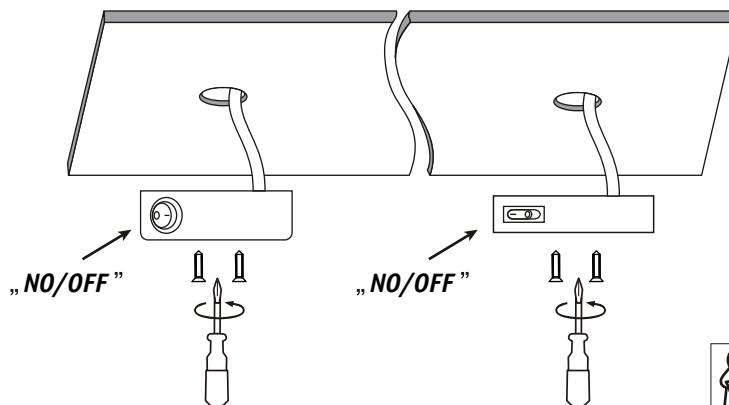
**A**  Safety Instructions  
Nr.0,1,2




**B**  Safety Instructions  
Nr.0,1,3,4

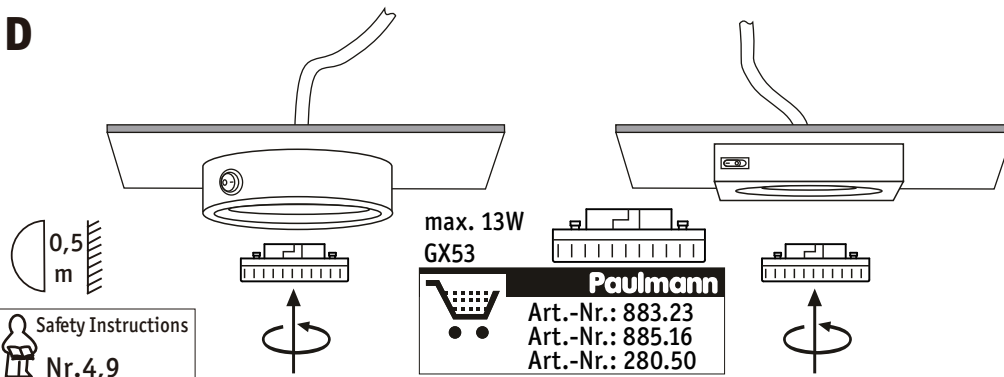



**C**



 Safety Instructions  
Nr.4

**D**



 Safety Instructions  
Nr.4,9