



# Safety Instructions



0,1,2,4,5b,6,7,8,9,11,12,  
15,16,17,19,20,21,22,23,  
25,26,27



Info Hotline

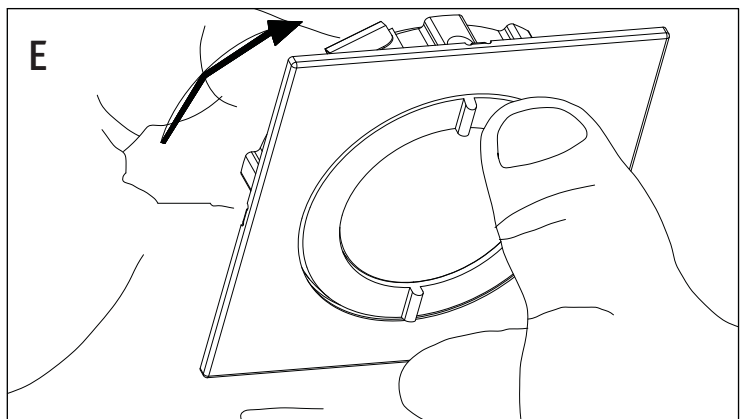
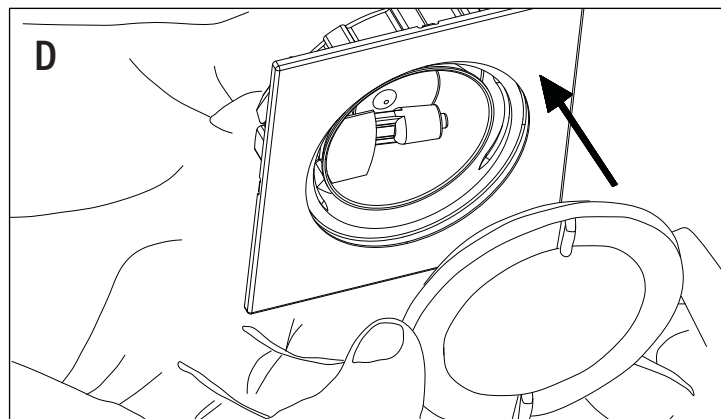
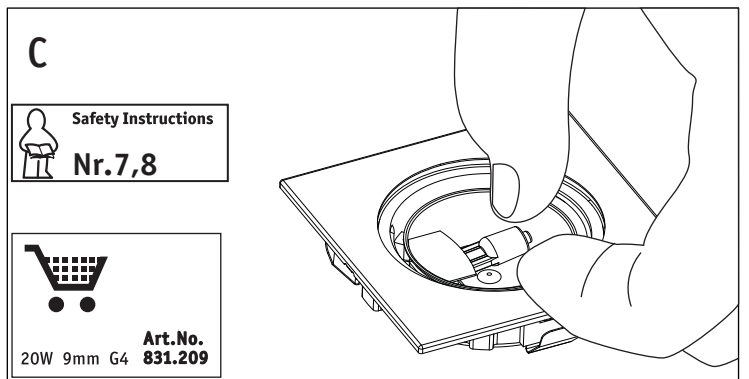
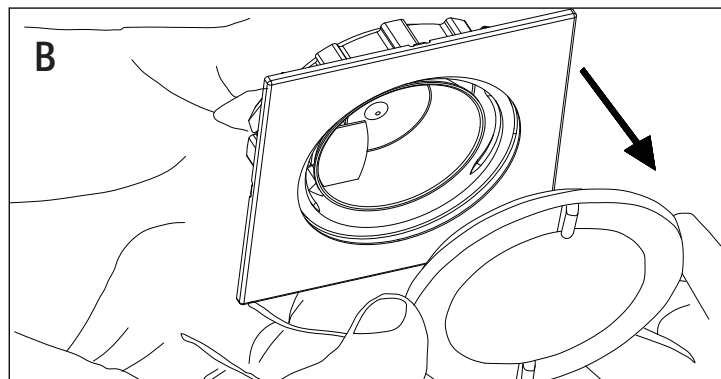
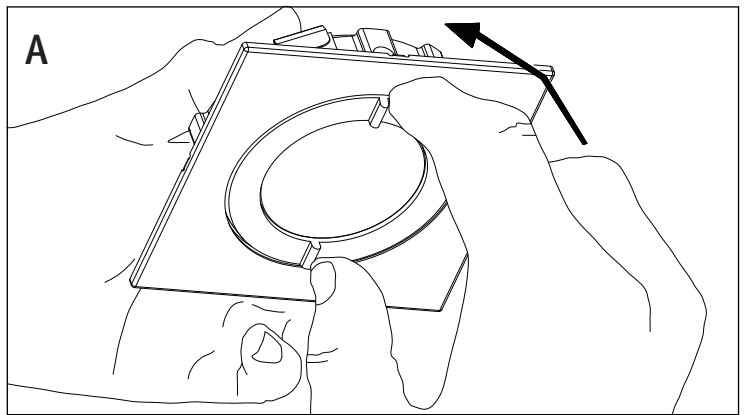
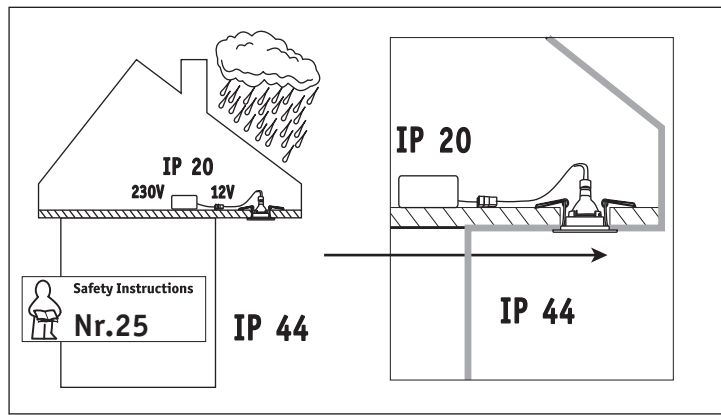
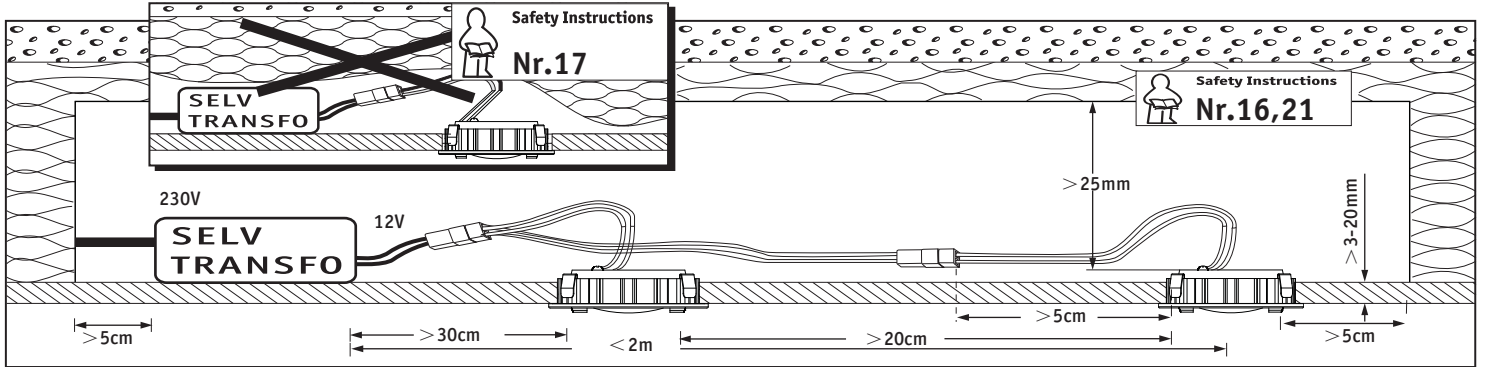
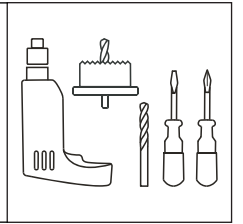
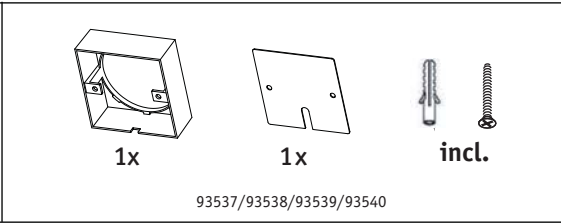
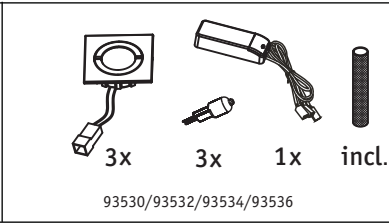
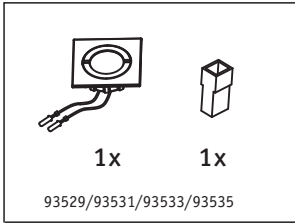
+49 (0) 5041 998 389

Mon. - Do. 7<sup>00</sup> - 20<sup>00</sup>

Fr. 7<sup>00</sup> - 17<sup>00</sup>

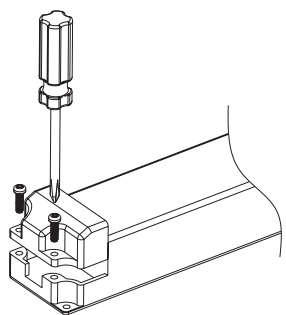
Paulmann Licht GmbH  
31832 Springe / Germany  
www.paulmann.com

Art.-Nr.: 93529/  
93530/93531/  
93532/93533/  
93534/93535/  
93536/93537/  
93538/93539/  
93540  
(+MA 173)  
PDG 05/12

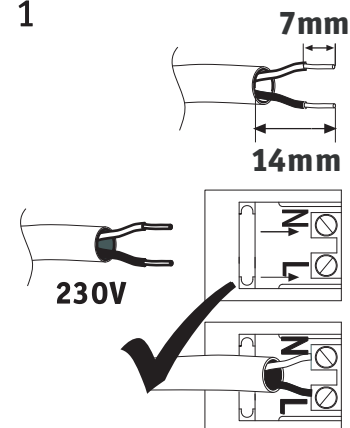


**F**

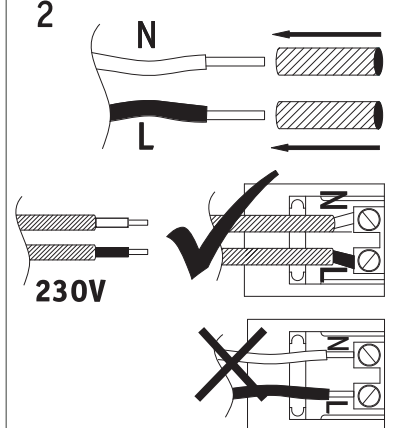
Safety Instructions  
Nr.0,4



**1**



**2**

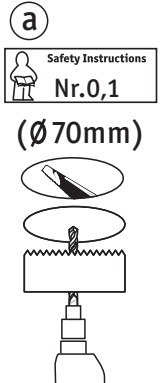


**G1**

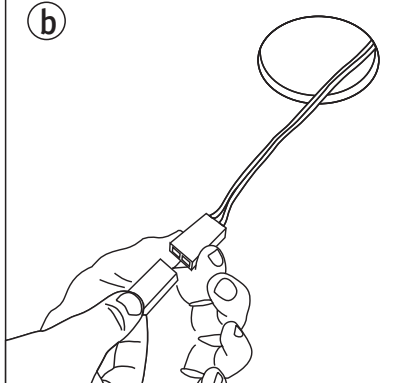
Safety Instructions  
Nr.0,1

(Ø70mm)

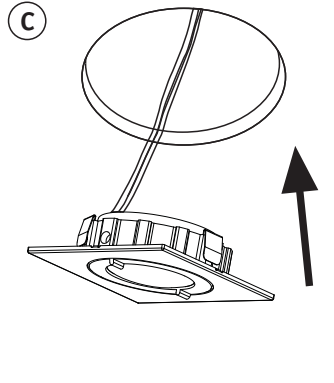
**(a)**

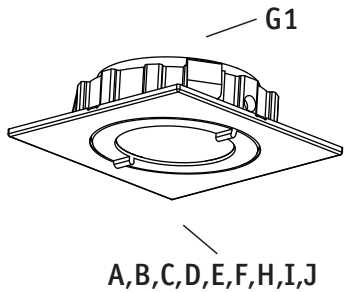


**(b)**



**(c)**

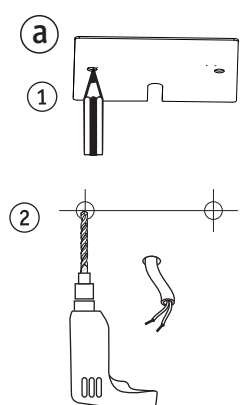




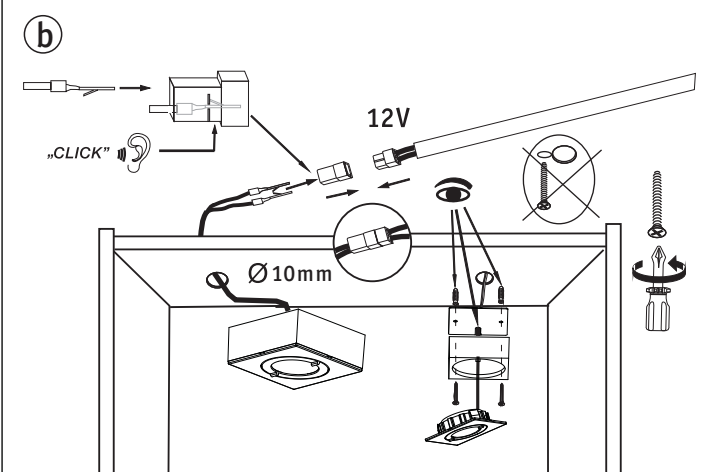
**G2**

Safety Instructions  
Nr.0,2

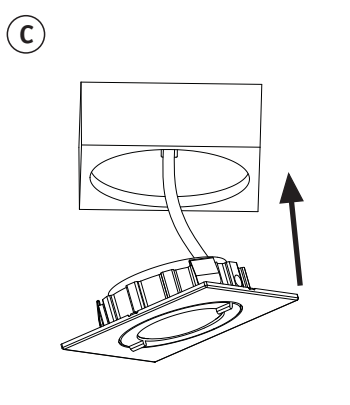
**(a)**

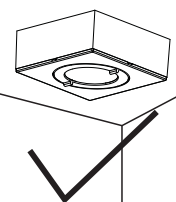


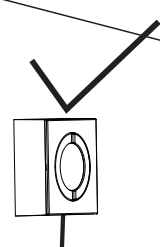
**(b)**

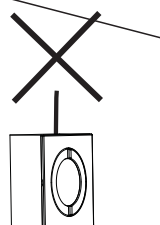


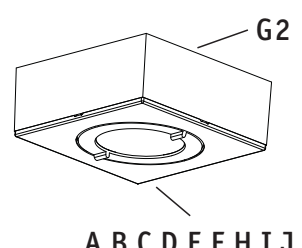
**(c)**



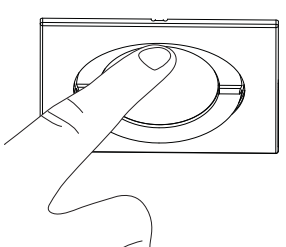




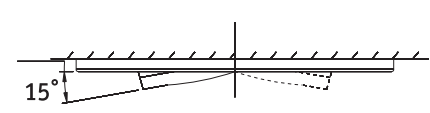




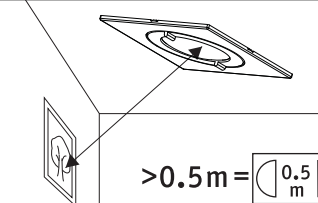
**H**



**I**



**J**



Safety Instructions  
Nr.9