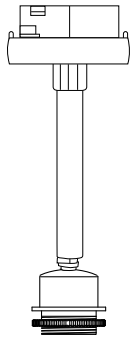




0,1,4,6,7,8,9,11,15,  
22,26,27,28



Paulmann Licht GmbH  
31832 Springe / Germany  
www.paulmann.com



1x



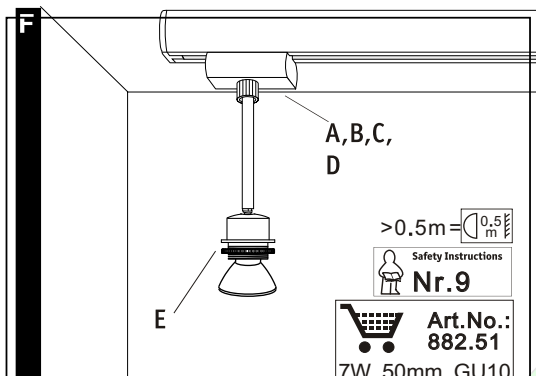
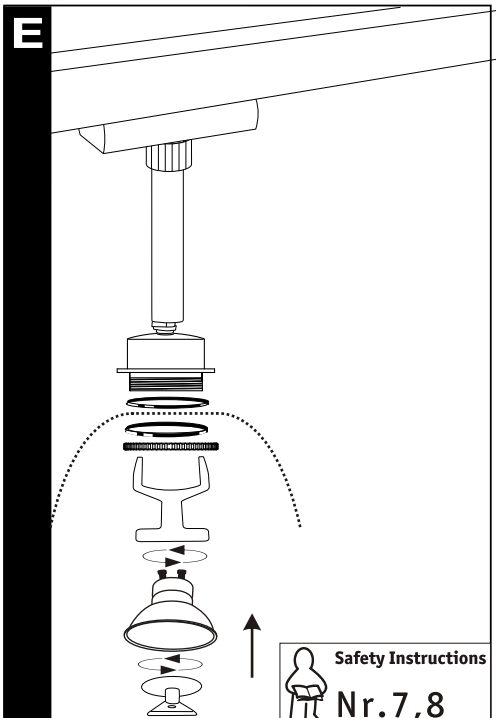
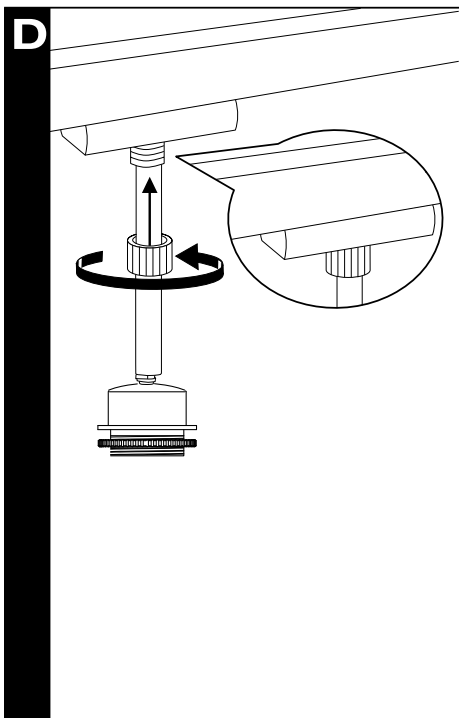
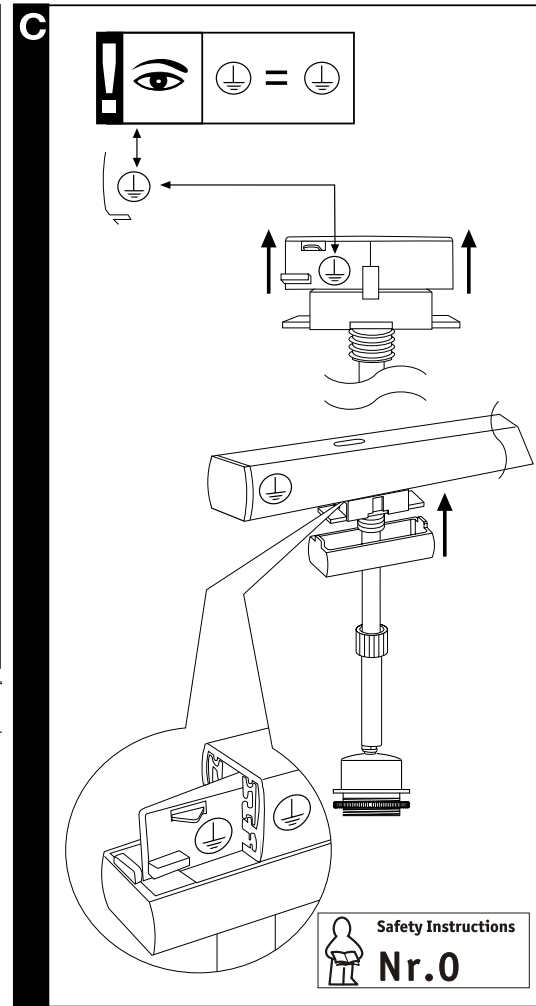
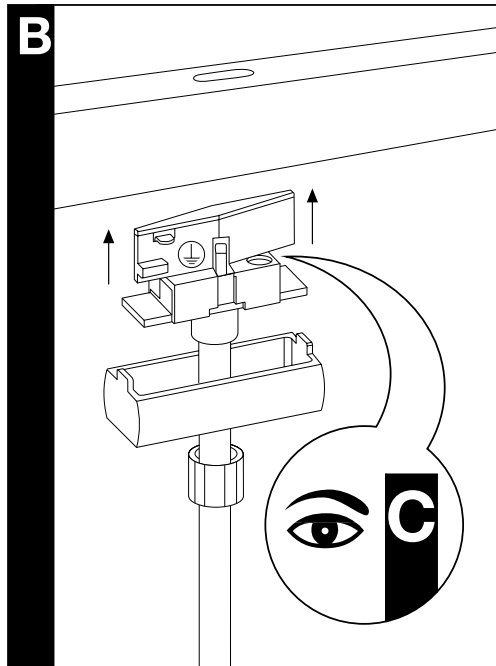
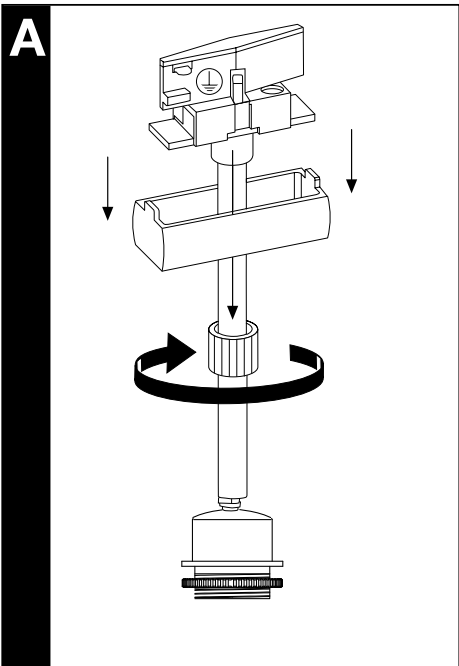
1x



1x



1x



Safety Instructions  
**Nr.0**

Safety Instructions  
**Nr.7,8**

>0.5m =  $\left( \begin{matrix} 0,5 \\ m \end{matrix} \right)$   
Safety Instructions  
**Nr.9**  
Art.No.:  
**882.51**  
7W 50mm GU10