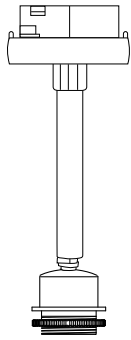




0,1,4,6,7,8,9,11,15,  
22,26,27,28



Paulmann Licht GmbH  
31832 Springe / Germany  
www.paulmann.com



1x



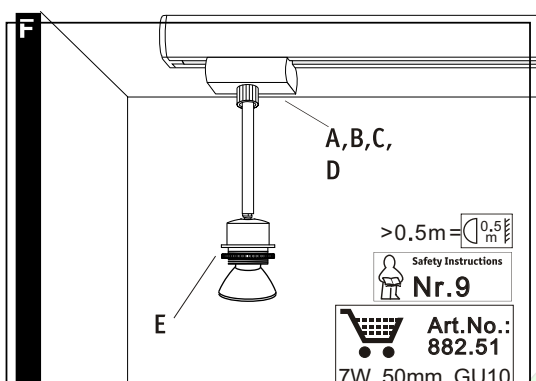
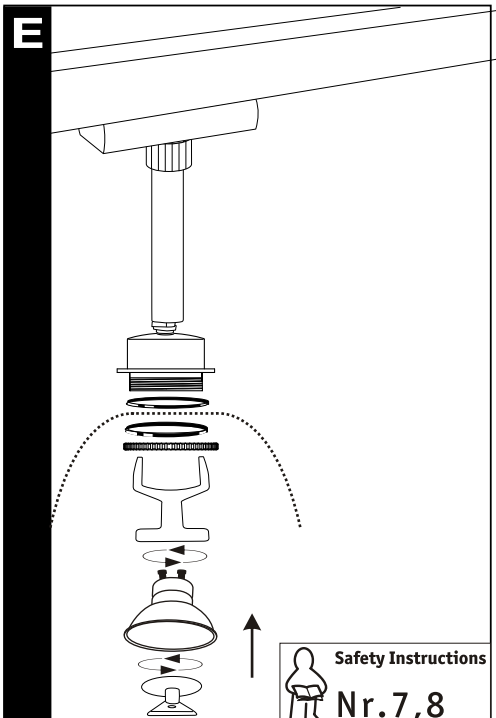
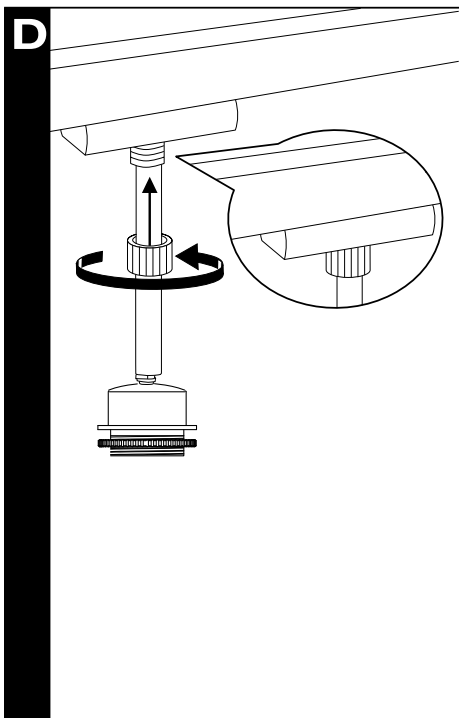
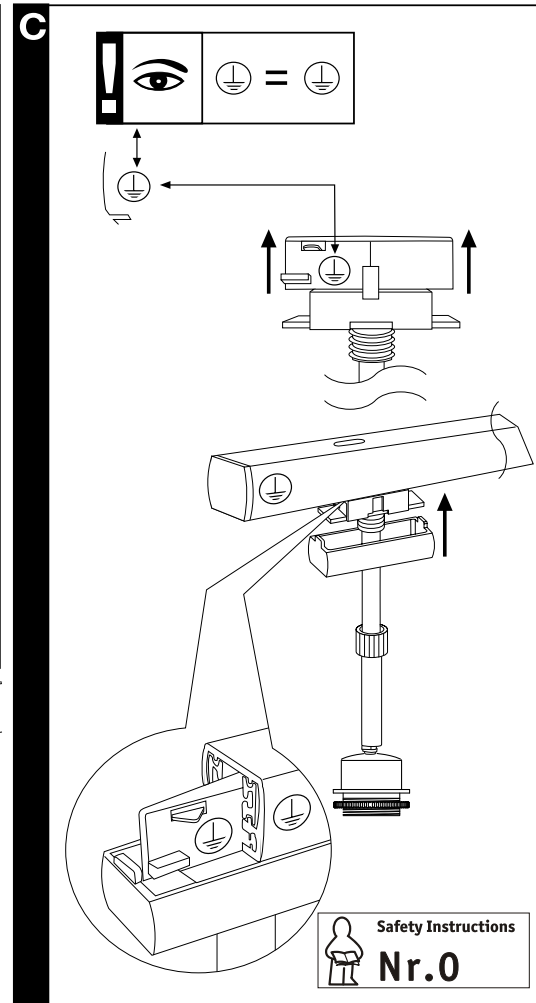
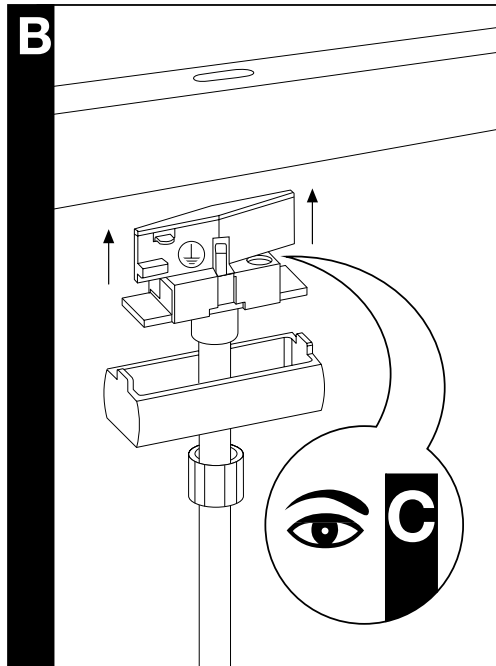
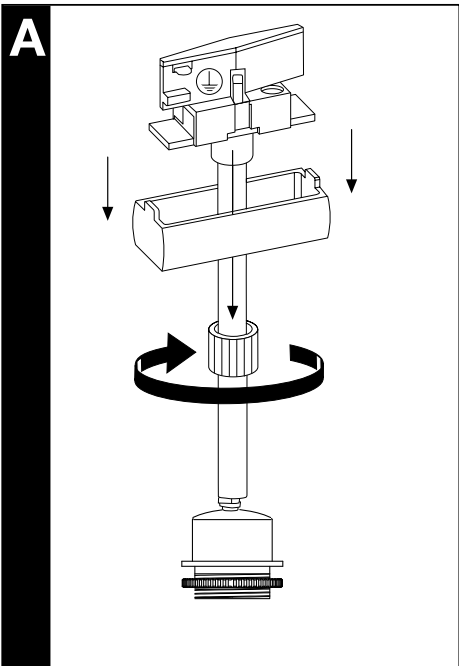
1x



1x



1x



**Safety Instructions**  
Nr. 7, 8

**Safety Instructions**  
Nr. 0

>0.5m =  $\left( \begin{array}{l} 0,5 \\ m \end{array} \right)$   
**Safety Instructions**  
Nr. 9  
Art.No.:  
882.51  
7W 50mm GU10