



Safety Instructions



0,1,4,6,7,8,9,11,15,
23,26,27



+49 (0) 5041 998 389

Mon. - Do. 7⁰⁰ - 20⁰⁰

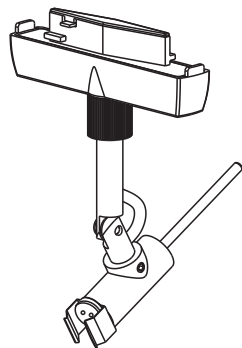
Fr. 7⁰⁰ - 17⁰⁰

Paulmann Licht GmbH
31832 Springe / Germany
www.paulmann.com

Art.-Nr.:
950.57

(+MA 173)

PH 08/10

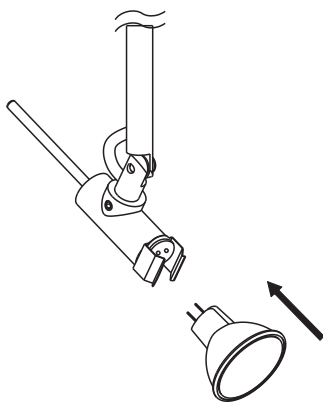


1x



1x

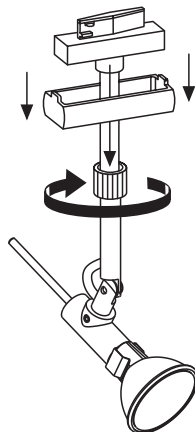
A



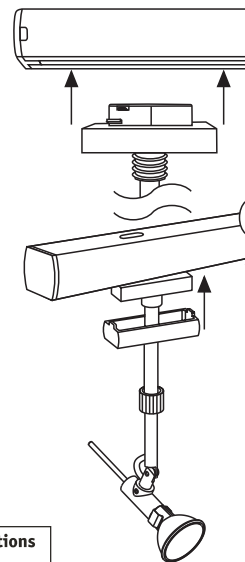
Safety Instructions

Nr.7,8

B



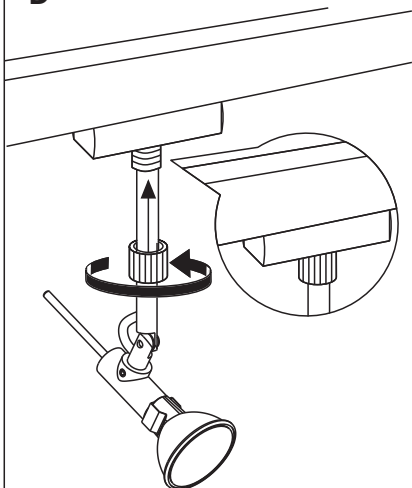
C



Safety Instructions

Nr.0

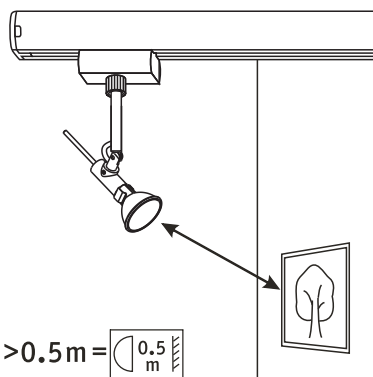
D

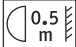


Safety Instructions

Nr.0.4

E

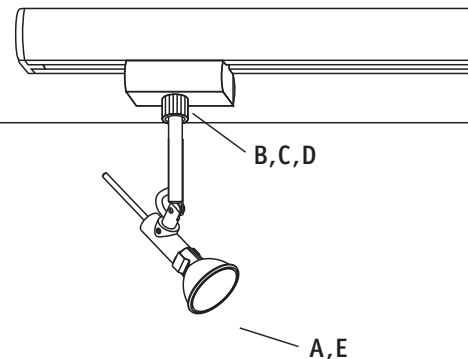


>0.5m = 



Safety Instructions

Nr.9



20W 35mm GU4

Art.No.
838.26