




Safety Instructions



0,1,2,3,4,5b,6,7,8,9,
10,11,12,13,15,16,17
19,20,21,22



Info Hotline 

+49 (0) 5041 998 389

Mon. - Do. 7⁰⁰ - 20⁰⁰

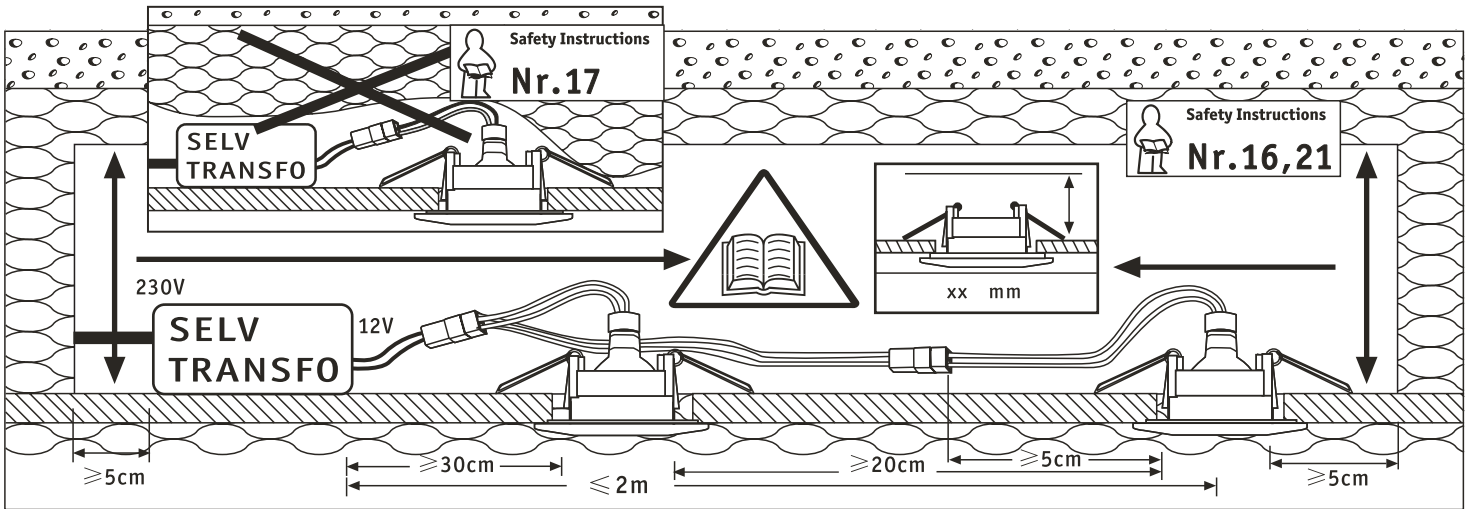
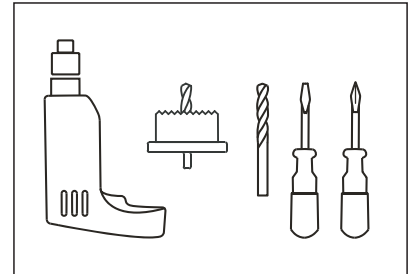
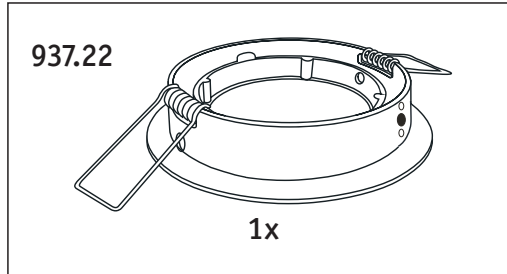
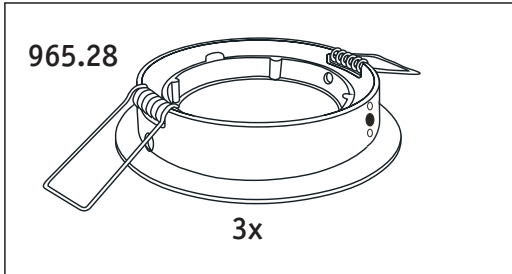
Fr. 7⁰⁰ - 17⁰⁰


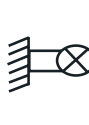
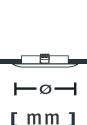


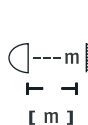



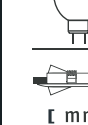
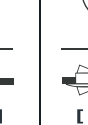
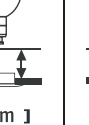
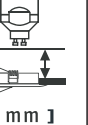

Paulmann Licht GmbH
31832 Springe / Germany
www.paulmann.com

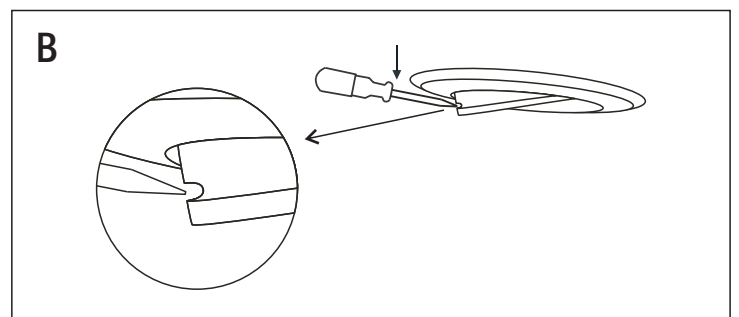
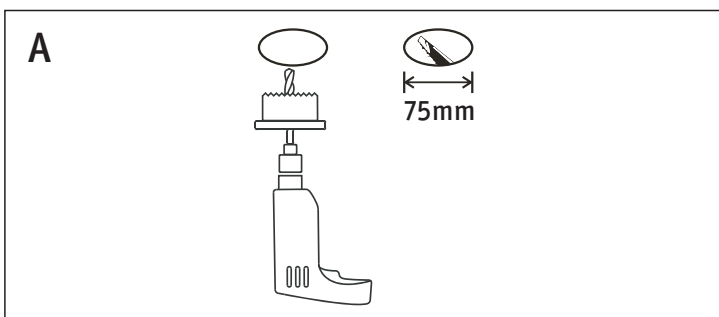
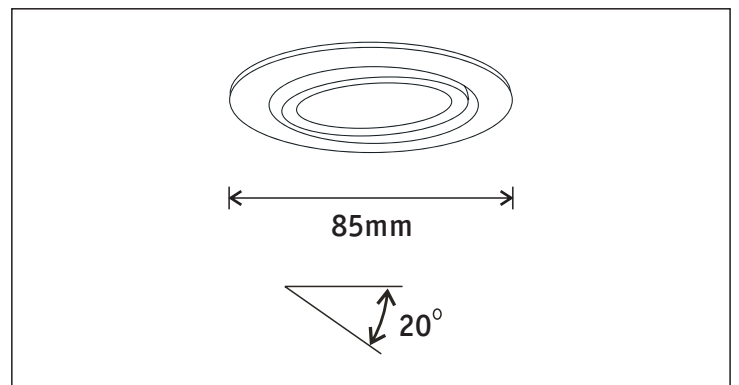
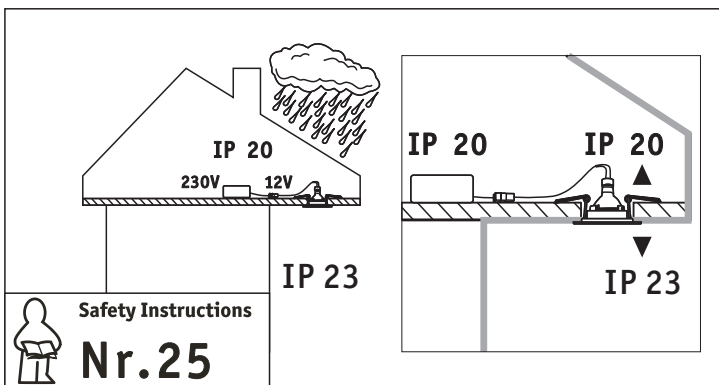
Art.-Nr.:
937.22
965.28

(+MA 173)

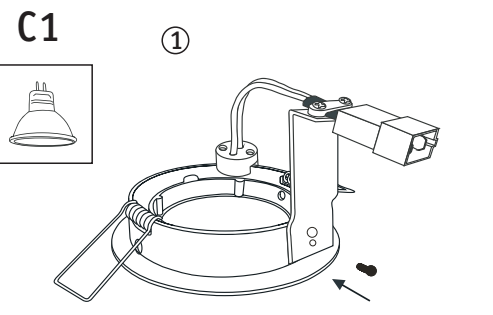
PH 12/09

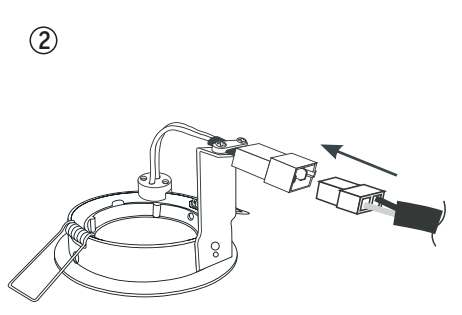


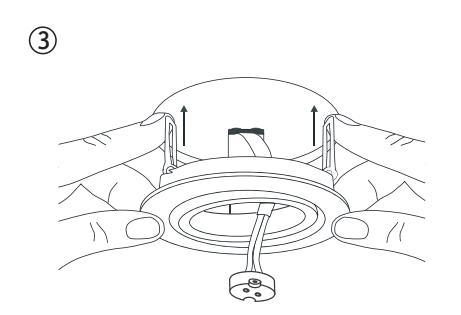
												
	[mm]	[W]	[mm]	[m]	[mm]	[cm]	[mm]	[mm]	[mm]	[mm]	[mm]	[mm]
	85	50	51	0.5	75	≥20	3-20	≥60	≥90	≥110		

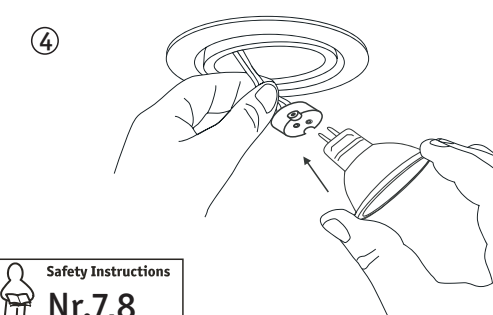


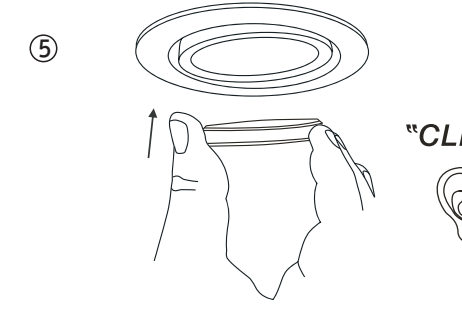
C1

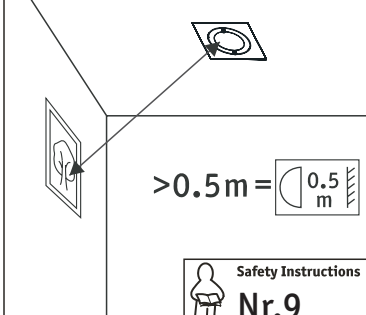
① 

② 

③ 

④ 

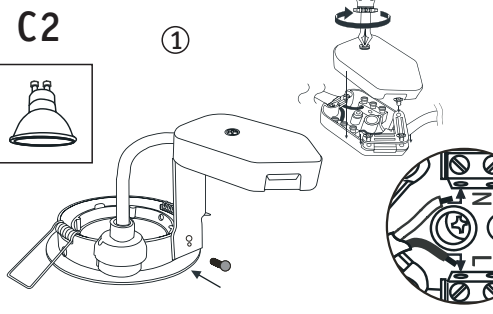
⑤  "CLICK"

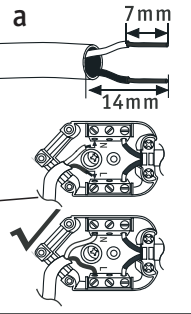


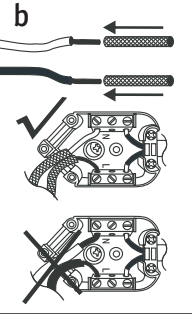
Safety Instructions
Nr.7,8

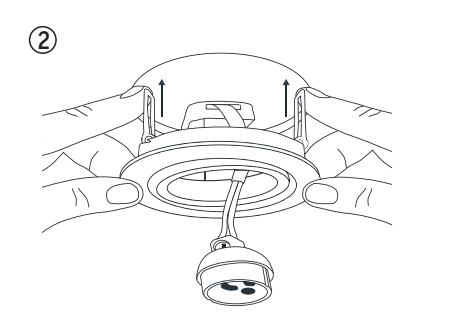
Safety Instructions
Nr.9

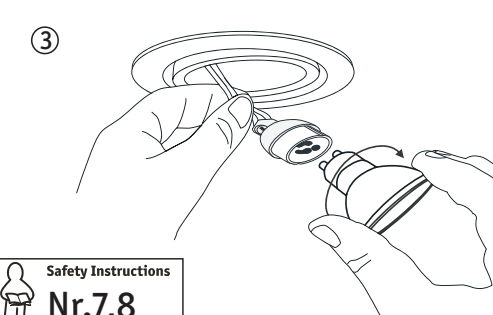
C2

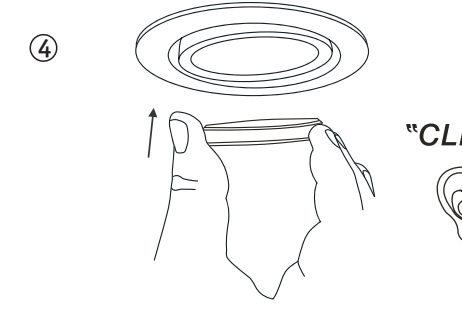
① 

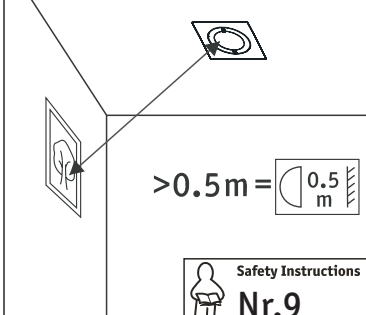
a 

b 

② 

③ 

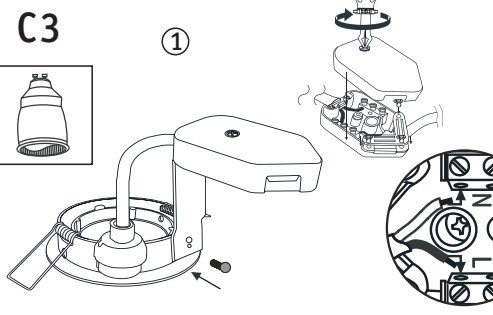
④  "CLICK"

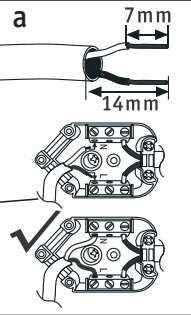


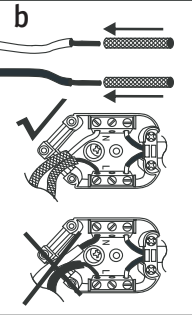
Safety Instructions
Nr.7,8

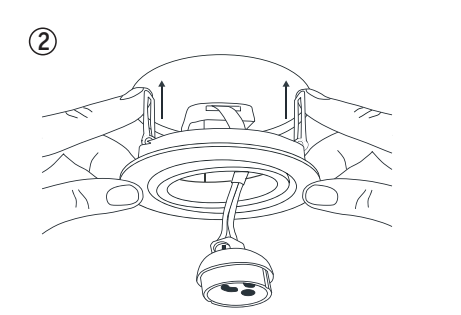
Safety Instructions
Nr.9

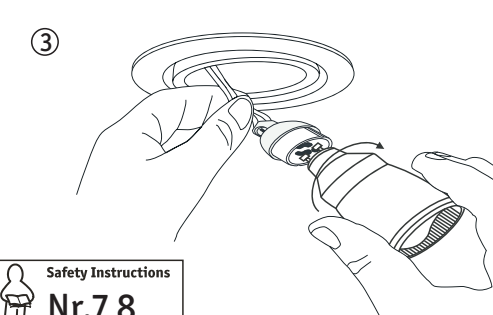
C3

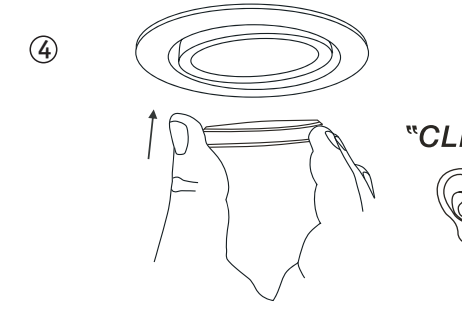
① 

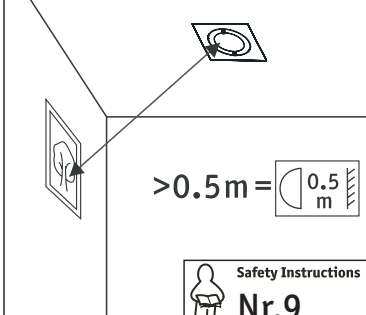
a 

b 

② 

③ 

④  "CLICK"



Safety Instructions
Nr.7,8

Safety Instructions
Nr.9